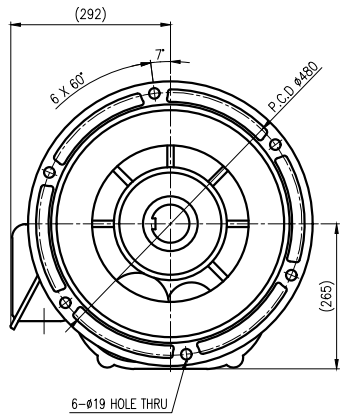
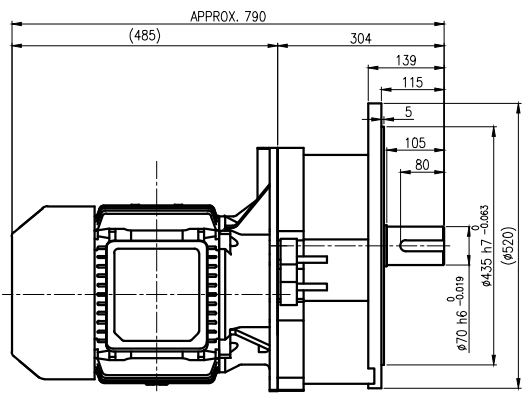
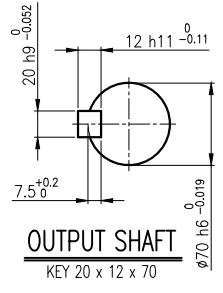
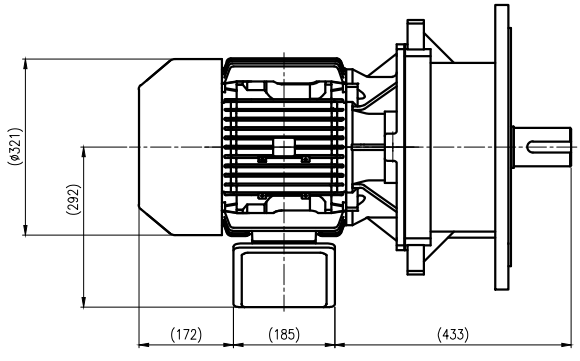


1	2	3	4	5				
No.	NAME	MATERIAL	DWG/MATL No.	CODE	Q'TY	SIZE	WEIGHT	REMARK
					0			



		BEARING			
		INPUT SHAFT	6309ZZ	6310ZZ	
OIL SEAL		2ND PINION	6307ZZ	6308ZZ	GREASE : NLGI(EP)00
MOTOR SHAFT	D(M)45x68x12	3RD PINION	-	-	ABOUT 9.0 kg
OUTPUT SHAFT	D(M)75x100x13	OUTPUT SHAFT	6311ZZ	21315	WEIGHT 278 kg

DWG NAME 외형도
OUTLINE DIMENSION

DWG No. **EK2DO08349H0001** UNIT mm
SCALE 1:1

No.	DATE	DESCRIPTION of REVISION	DESIGNED	CHECKED	REVIEWED	APPROVED	DATE	2021-08-25
A4(210X297mm)	FORM CE-14-0100-444 2013.11.20		KIM.H.U		HONG.W.C	JUNG.C.S	REVISION No.	01
TYPE F1VM_27_11kW_30:1_프리미엄							THIRD ANGLE PROJECTION	
REF. No.			-			A		

이 도면에 표시된 정보는 호성중공업(주)의 소유이며 당사의 사전 서면동의 없이 무단사용을 금합니다.