

	1	2	3	4	5
No.	NAME	MATERIAL	DWG/MATL No.	CODE	Q'TY
					0
				SIZE	WEIGHT
					REMARK

A

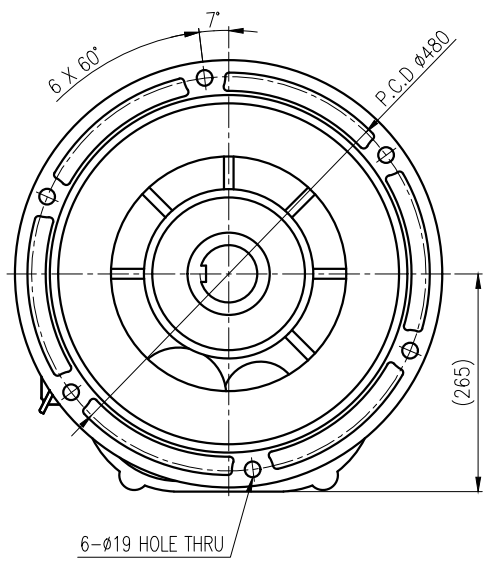
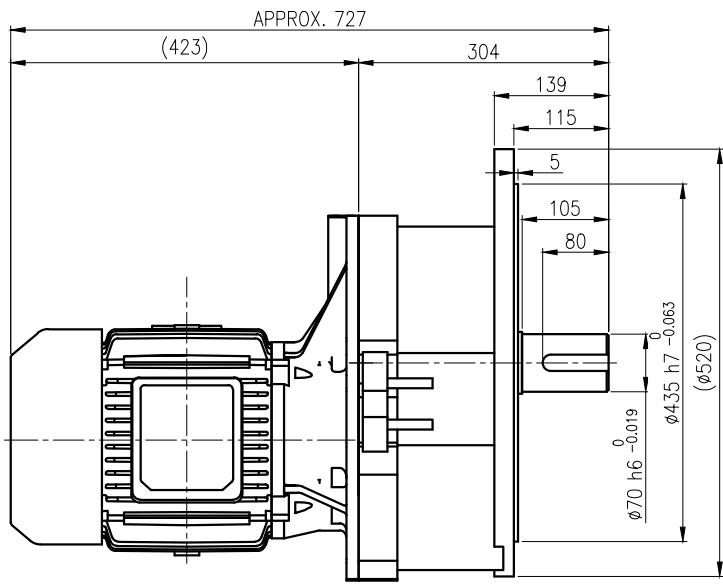
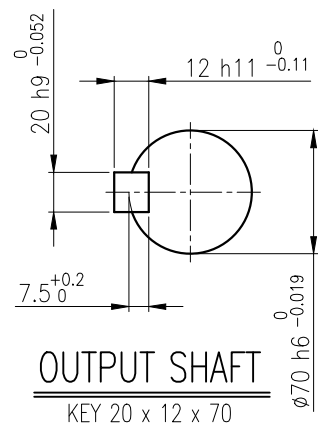
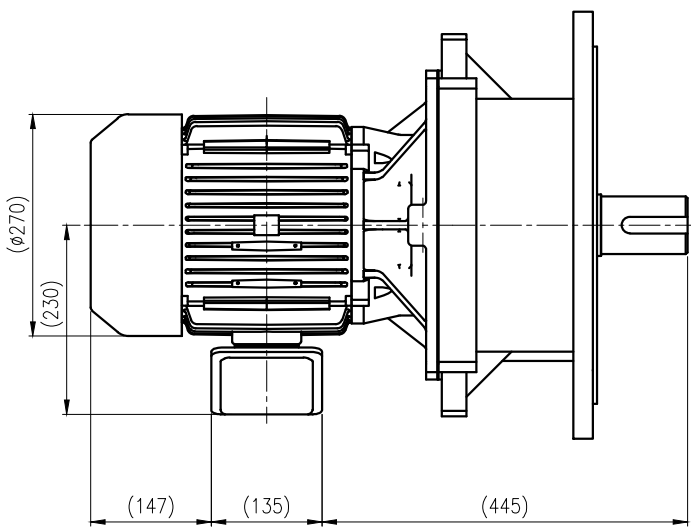
B

C

D

E

F



		BEARING			
		INPUT SHAFT	6207ZZ	6308ZZ	
OIL SEAL		2ND PINION	6306ZZ	6306ZZ	GREASE : NLGI(EP)00
MOTOR SHAFT	D(M)40x62x11	3RD PINION	6307ZZ	6308ZZ	ABOUT 8.9 kg
OUTPUT SHAFT	D(M)75x100x13	OUTPUT SHAFT	6311ZZ	21315	WEIGHT 215 kg

		DWG NAME		외형도 OUTLINE DIMENSION	
		DWG No.		E K 2 D O 0 8 3 4 8 H 0 0 0 1	
		UNIT		mm	
		SCALE		1:1	
No.	DATE	DESIGNED	CHECKED	REVIEWED	APPROVED
DESCRIPTION of REVISION					
A4(210X297mm) FORM CE-14-0100-444 2013.11.20		KIM.H.U HONG.W.C		JUNG.C.S DATE 2021-08-25	
TYPE F1VM_27_7.5kW_40~60:1_프리미엄		REF. No.		-	
				REVISION No. 01	
				THIRD ANGLE PROJECTION	
				A	

The information written in this drawing is HYOSUNG HEAVY INDUSTRIES's property, and may not be disclosed and/or reproduced without the prior official permission of HYOSUNG HEAVY INDUSTRIES Corp.

이 도면상에 표시된 정보는 표상공급(주)의 소유이며 당사의 사전 서면동의 없이 무단사용을 금합니다.