

1	2	3	4	5				
No.	NAME	MATERIAL	DWG/MATL No.	CODE	Q'TY	SIZE	WEIGHT	REMARK
					0			

A

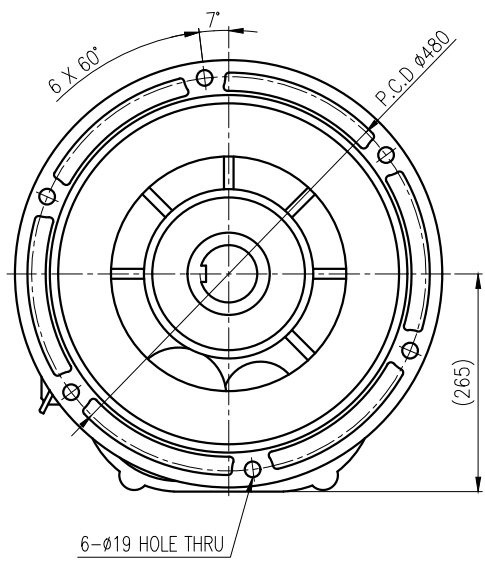
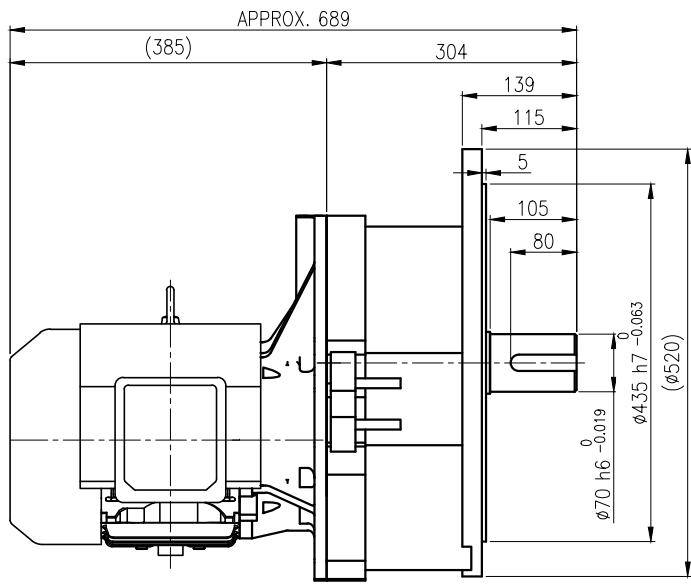
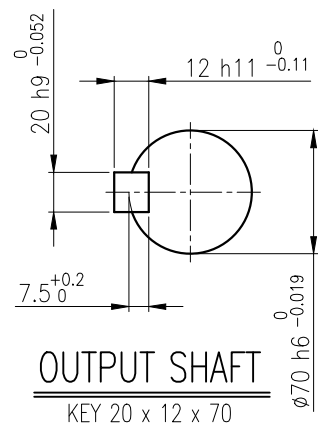
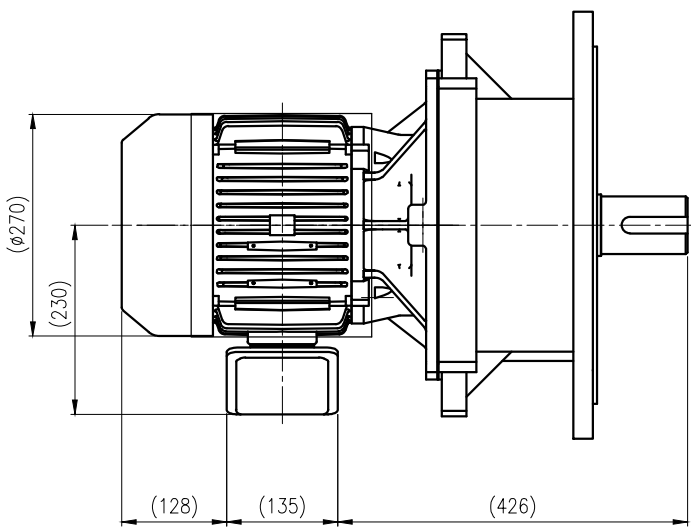
B

C

D

E

F



		BEARING			
		INPUT SHAFT	6207ZZ	6308ZZ	
OIL SEAL		2ND PINION	6306ZZ	6306ZZ	GREASE : NLGI(EP)00
MOTOR SHAFT	D(M)40x62x11	3RD PINION	6307ZZ	6308ZZ	ABOUT 8.9 kg
OUTPUT SHAFT	D(M)75x100x13	OUTPUT SHAFT	6311ZZ	21315	WEIGHT 210 kg

		DWG NAME		외형도 OUTLINE DIMENSION	
		DWG No.		EK2DO08347W0001	UNIT mm
				SCALE	1:1
No.	DATE	DESCRIPTION of REVISION		DESIGNED	CHECKED
				REVIEWED	APPROVED
				DATE	2021-08-25
A4(210X297mm) FORM CE-14-0100-444 2013.11.20		HYOSUNG HEAVY INDUSTRIES		KIM.H.U	HONG.W.C JUNG.C.S
TYPE		F1VM_27_5.5kW_60~100:1_프리미엄		REVISION No.	01
		REF. No.		THIRD ANGLE PROJECTION	
				A	

이 도면상에 표시된 정보는 호성중공업(주)의 소유이며 당사의 사전 서면동의 없이 무단사용을 금합니다.