

1	2	3	4	5				
No.	NAME	MATERIAL	DWG/MATL No.	CODE	Q'TY	SIZE	WEIGHT	REMARK
					0			

A

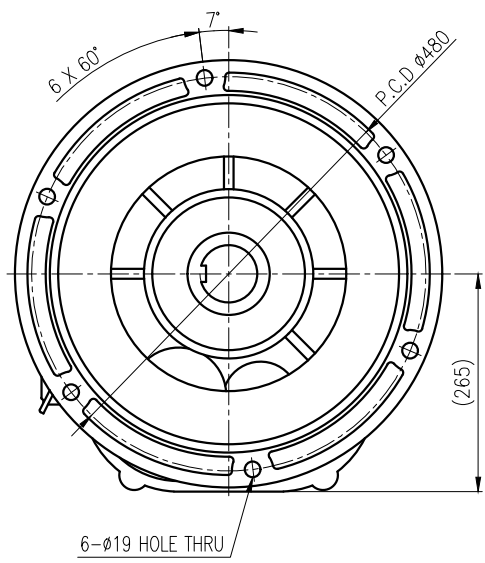
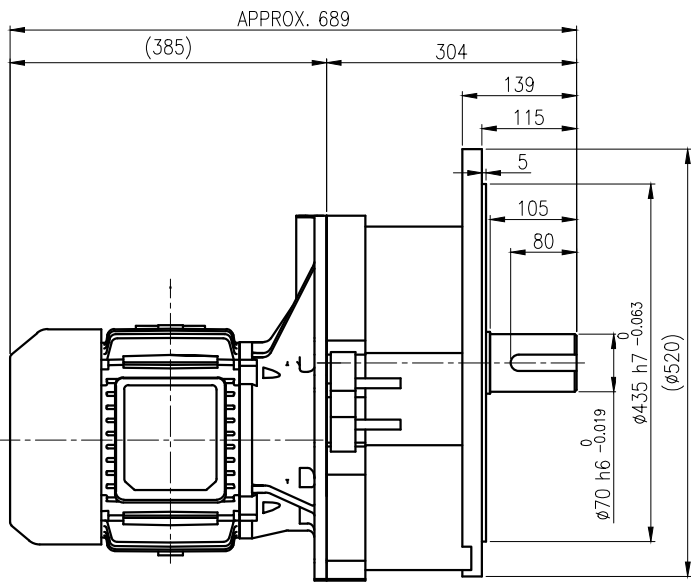
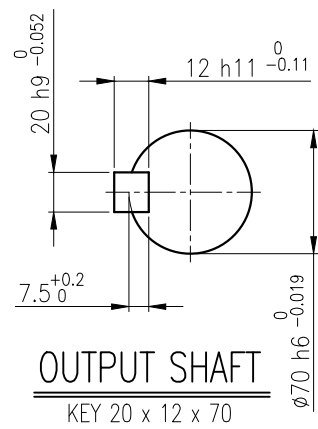
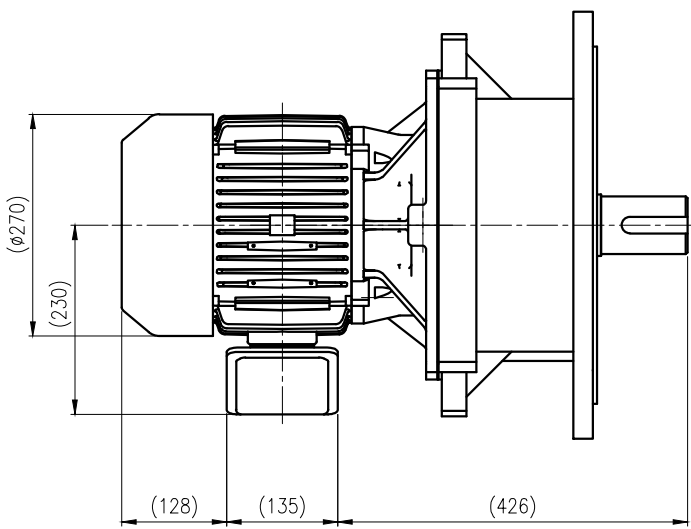
B

C

D

E

F



		BEARING			
		INPUT SHAFT	6207ZZ	6308ZZ	
OIL SEAL		2ND PINION	6306ZZ	6306ZZ	GREASE : NLGI(EP)00
MOTOR SHAFT	D(M)40x62x11	3RD PINION	6307ZZ	6308ZZ	ABOUT 8.9 kg
OUTPUT SHAFT	D(M)75x100x13	OUTPUT SHAFT	6311ZZ	21315	WEIGHT 210 kg

DWG NAME 외형도  
OUTLINE DIMENSION

DWG No. **EK2DO08347H0001** UNIT mm  
SCALE 1:1

DESIGNED	CHECKED	REVIEWED	APPROVED	DATE	2021-08-25
KIM.H.U		HONG.W.C	JUNG.C.S	REVISION No.	01
					THIRD ANGLE PROJECTION

FORM CE-14-0100-444 2013.11.20

**HYOSUNG HEAVY INDUSTRIES**

TYPE F1VM\_27\_5.5kW\_60~100:1\_프리미엄

REF. No. —

(A)

이 도면상에 표시된 정보는 호성중공업(주)의 소유이며 당사의 사전 서면동의 없이 무단사용을 금합니다.