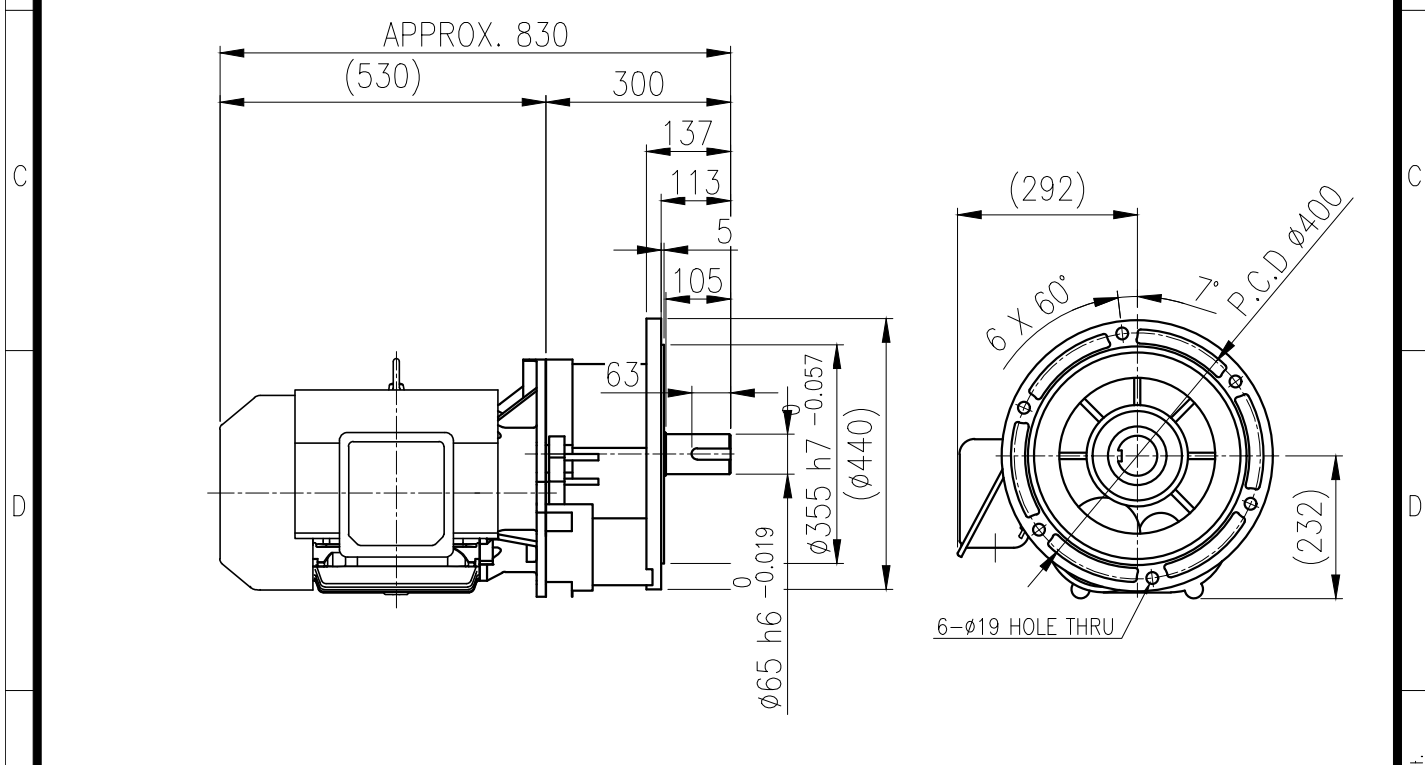
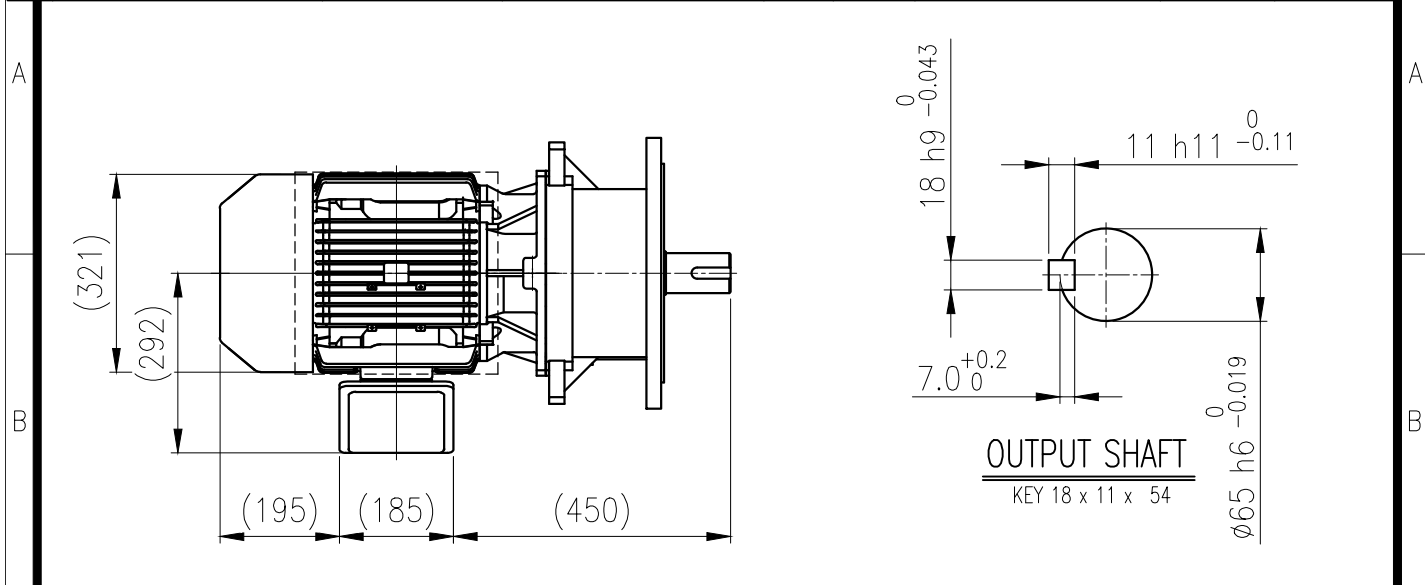


No.	NAME	MATERIAL	DWG/MATL No.	CODE	Q'TY	SIZE	WEIGHT	REMARK
					0			



		BEARING			
		INPUT SHAFT	6309ZZ	6310ZZ	
OIL SEAL		2ND PINION	6207ZZ	6309ZZ	GREASE : NLGI(EP)00
MOTOR SHAFT	D(M)45x68x12	3RD PINION	-	-	ABOUT 8.0 kg
OUTPUT SHAFT	D(M)70x95x13	OUTPUT SHAFT	PM5060	22214	WEIGHT 247 kg

		DWG NAME		외형도 OUTLINE DIMENSION	
		DWG No.		E K 2 D 0 0 8 3 4 6 W 0 0 0 1	
		UNIT		mm	
		SCALE		1:1	
No.	DATE	DESCRIPTION of REVISION		DESIGNED	CHECKED
A4(210X297mm)		FORM		DESIGNED	REVIEWED
CE-14-0100-444		2013.11.20		KIM.H.U	HONG.W.C
TYPE		F1VM_23_15kW_5~10:1_프리미엄		APPROVED	JUNG.C.S
				DATE	2021-08-25
				REVISION No.	01
				THIRD ANGLE PROJECTION	
		REF. No.		-	
				A	

이 도면상에 표시된 정보는 호성중공업(주)의 소유이며 당사의 사전 서면동의 없이 무단사용을 금합니다.