

	1	2	3	4	5
No.	NAME	MATERIAL	DWG/MATL No.	CODE Q'TY	SIZE WEIGHT REMARK
				0	

A

A

B

B

C

C

D

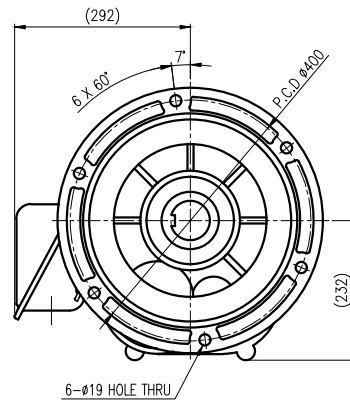
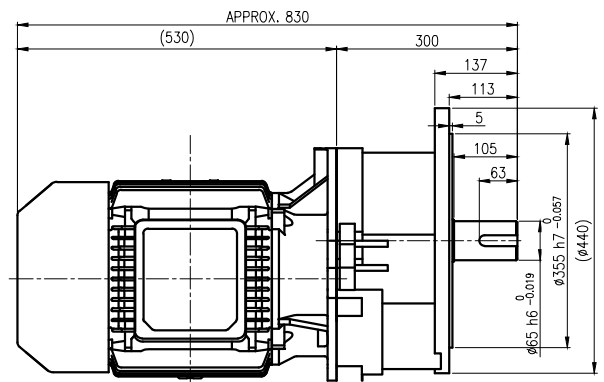
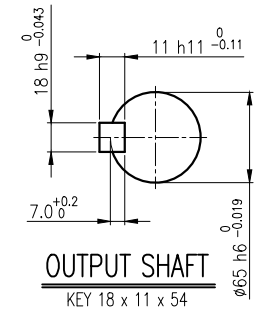
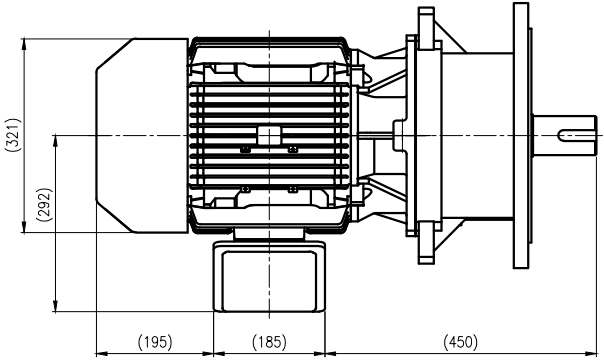
D

E

E

F

F



		BEARING			
		INPUT SHAFT	6309ZZ	6310ZZ	
OIL SEAL		2ND PINION	6207ZZ	6309ZZ	GREASE : NLGI(EP)00
MOTOR SHAFT	D(M)45x68x12	3RD PINION	-	-	ABOUT 8.0 kg
OUTPUT SHAFT	D(M)70x95x13	OUTPUT SHAFT	PM5060	22214	WEIGHT 247 kg

		DWG NAME 외형도 OUTLINE DIMENSION			
		DWG No. EK2DO08346H0001		UNIT mm	
				SCALE 1:1	
No.	DATE	DESCRIPTION of REVISION		DESIGNED	CHECKED
				REVIEWED	APPROVED
				DATE	2021-08-25
A4(210x297mm) FORM CE-14-0100-444 2013.11.20		HYOSUNG HEAVY INDUSTRIES		KIM.H.U	HONG.W.C JUNG.C.S
TYPE F1VM_23_15kW_5~10:1_프리미엄		REF. No. -		REVISION No. 01	
				THIRD ANGLE PROJECTION	
				(A)	

이 도면상에 표시된 정보는 호성중공업(주)의 소유이며 당사의 사전 서면동의 없이 무단사용을 금합니다.