

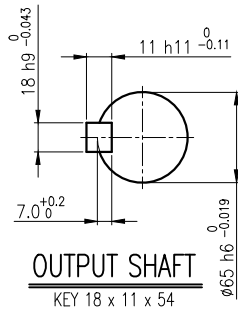
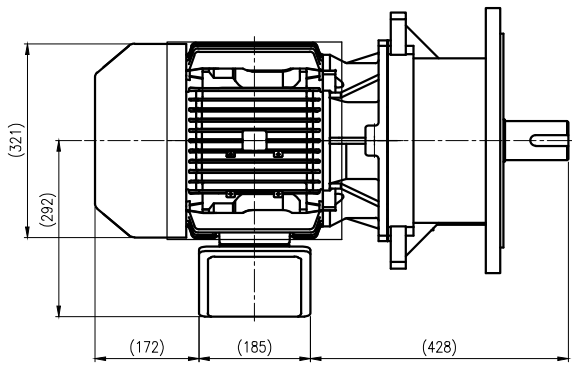
1	2	3	4	5				
No.	NAME	MATERIAL	DWG/MATL No.	CODE	Q'TY	SIZE	WEIGHT	REMARK
					0			

A

A

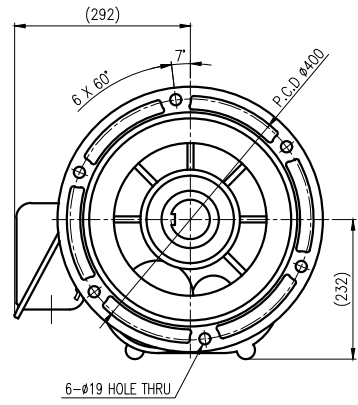
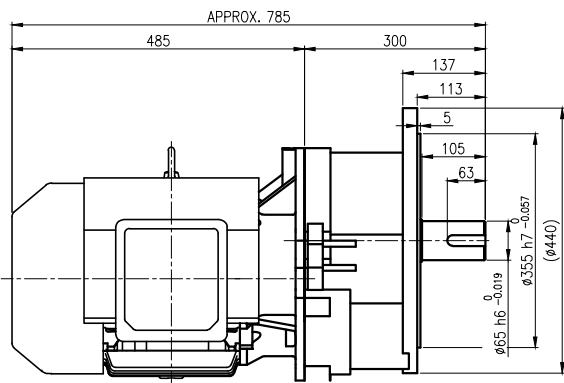
B

B



C

C



D

D

E

		BEARING			
		INPUT SHAFT	6309ZZ	6310ZZ	
OIL SEAL		2ND PINION	6207ZZ	6309ZZ	GREASE : NLGI(EP)00
MOTOR SHAFT	D(M)45x68x12	3RD PINION	-	-	ABOUT 8.0 kg
OUTPUT SHAFT	D(M)70x95x13	OUTPUT SHAFT	PM5060	22214	WEIGHT 241 kg

F

		DWG NAME 외형도 OUTLINE DIMENSION							
		DWG No. EK2D008345W0001		UNIT	mm				
				SCALE	1:1				
No.	DATE	DESCRIPTION of REVISION		DESIGNED	CHECKED	REVIEWED	APPROVED	DATE	2021-08-25
A4(210x297mm)	FORM CE-14-0100-444 2013.11.20			KIM.H.U		HONG.W.C	JUNG.C.S	REVISION No.	01
TYPE				F1VM_23_11kW_15~20:1_프리미엄		REF. No.		-	
								(A)	

이 도면상에 표시된 정보는 호성중공업(주)의 소유이며 당사의 사전 서면동의 없이 무단사용을 금합니다.