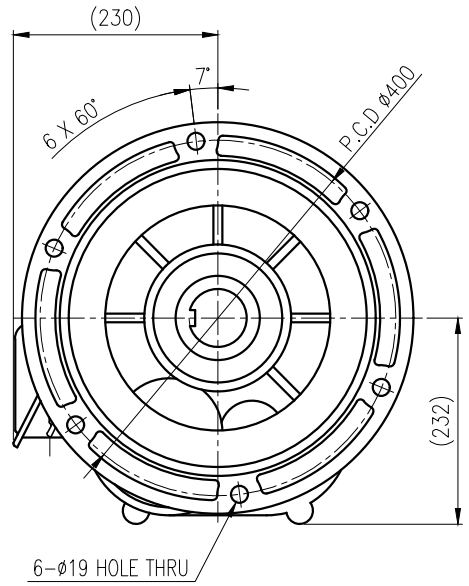
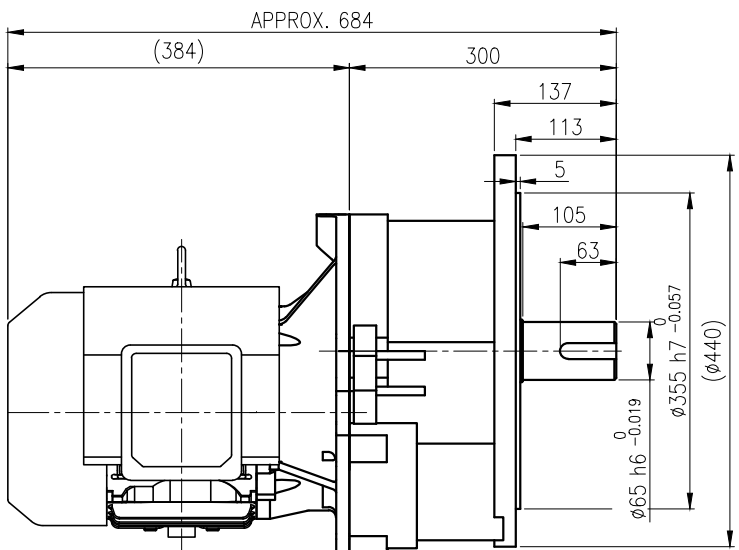
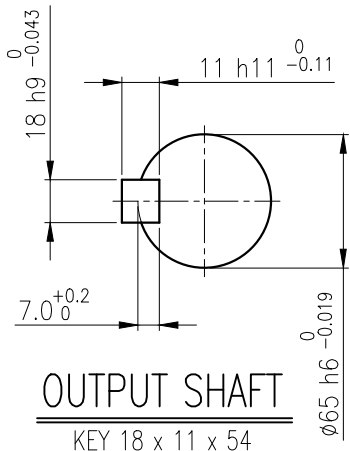
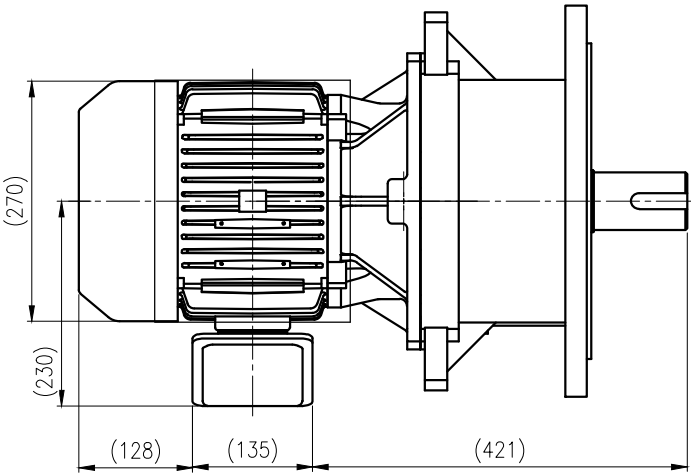


1	2	3	4	5				
No.	NAME	MATERIAL	DWG/MATL No.	CODE	Q'TY	SIZE	WEIGHT	REMARK
					0			



		BEARING			
		INPUT SHAFT	6207ZZ	6308ZZ	
OIL SEAL		2ND PINION	6207ZZ	6205ZZ	GREASE : NLGI(EP)00
MOTOR SHAFT	D(M)40x62x11	3RD PINION	6207ZZ	6309ZZ	ABOUT 7.0 kg
OUTPUT SHAFT	D(M)70x95x13	OUTPUT SHAFT	PM5060	22214	WEIGHT 173 kg

		외형도 OUTLINE DIMENSION		DWG NAME					
		EYK2D008343W0001		UNIT	mm				
				SCALE	1:1				
No.	DATE	DESCRIPTION of REVISION		DESIGNED	CHECKED	REVIEWED	APPROVED	DATE	2021-08-25
A4(210x297mm)	FORM CE-14-0100-444 2013.11.20			KIM.H.U		HONG.W.C	JUNG.C.S	REVISION No.	01
TYPE				F1VM_23_5.5kW_40~60:1_프리미엄		THIRD ANGLE PROJECTION			
		REF. No.						A	

The information written in this drawing is HYOSUNG HEAVY INDUSTRIES's property, and may not be disclosed and/or reproduced without the prior official permission of HYOSUNG HEAVY INDUSTRIES Corp.

이 도면상에 표시된 정보는 호성중공업(주)의 소유이며 당사의 사전 서면동의 없이 무단사용을 금합니다.