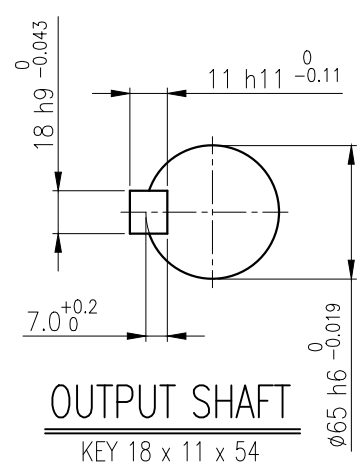
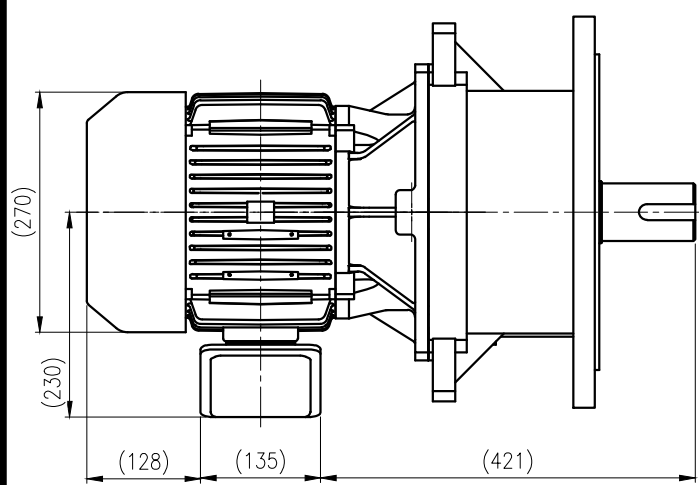


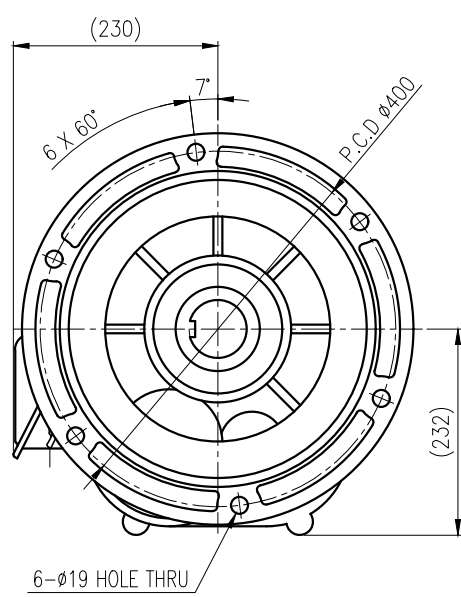
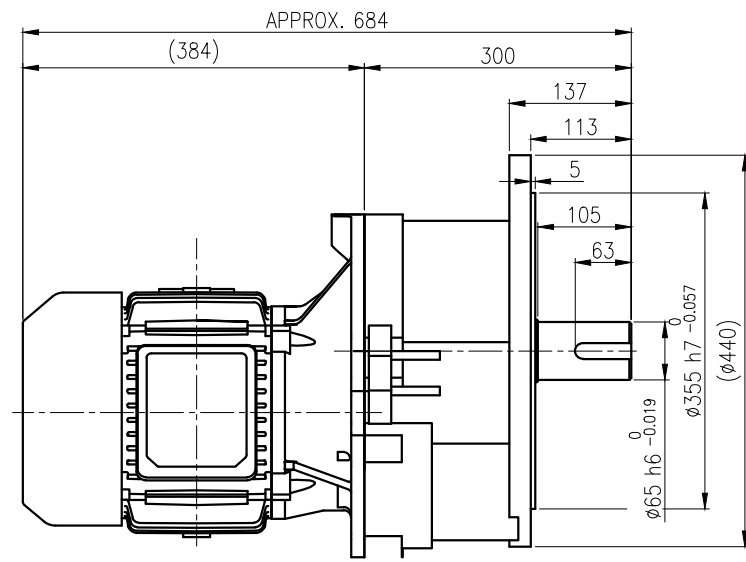
No.	NAME	MATERIAL	DWG/MATL No.	CODE	Q'TY	SIZE	WEIGHT	REMARK
					0			

A

B



C



D

E

		BEARING			
		INPUT SHAFT	6207ZZ	6308ZZ	
OIL SEAL		2ND PINION	6207ZZ	6205ZZ	GREASE : NLGI(EP)00
MOTOR SHAFT	D(M)40x62x11	3RD PINION	6207ZZ	6309ZZ	ABOUT 7.0 kg
OUTPUT SHAFT	D(M)70x95x13	OUTPUT SHAFT	PM5060	22214	WEIGHT 173 kg

F

		외형도 OUTLINE DIMENSION			
		DWG No. EK2DO08343H0001		UNIT	mm
				SCALE	1:1
No.	DATE	DESCRIPTION of REVISION		DESIGNED	CHECKED
				REVIEWED	APPROVED
				DATE	2021-08-25
FORM CE-14-0100-444 2013.11.20		HYOSUNG HEAVY INDUSTRIES		KIM.H.U	HONG.W.C
TYPE		F1VM_23_5.5kW_40~60:1_프리미엄		JUNG.C.S	REVISION No. 01
				THIRD ANGLE PROJECTION	
		REF. No.		A	

이 도면상에 표시된 정보는 호성중공업(주)의 소유이며 당사의 사전 서면동의 없이 무단사용을 금합니다.