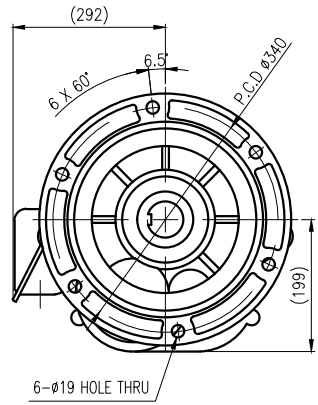
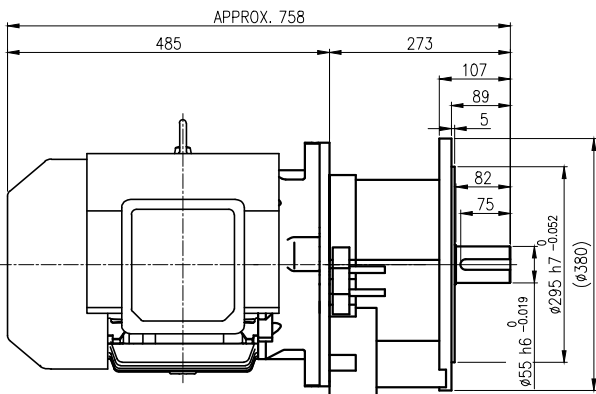
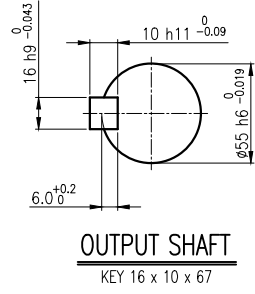
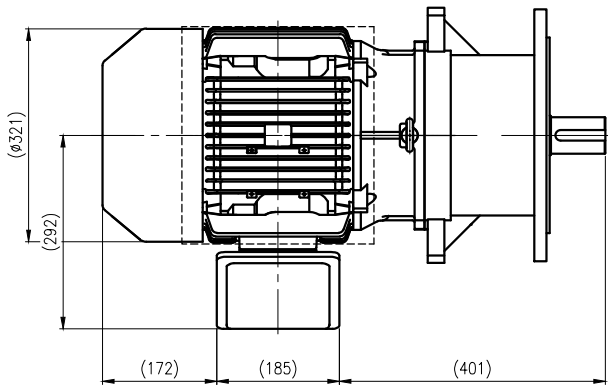


	1	2	3	4	5
No.	NAME	MATERIAL	DWG/MATL No.	CODE	Q'TY
					0
				SIZE	WEIGHT
					REMARK



		BEARING		
		INPUT SHAFT	6309ZZ 6310ZZ	
OIL SEAL		2ND PINION	6208ZZ 6308ZZ	GREASE : NLGI(EP)00
MOTOR SHAFT	D(M) 45x68x12	3RD PINION	-	ABOUT 4.6 kg
OUTPUT SHAFT	D(M) 60x85x12	OUTPUT SHAFT	PM4530 22212	WEIGHT 216 kg

DWG NAME: **OUTLINE DIMENSION**

DWG No. **EK2DO08342W0001** UNIT: mm
SCALE: 1:1

DESIGNED	CHECKED	REVIEWED	APPROVED	DATE	2021-08-25
KIM.H.U		HONG.W.C	JUNG.C.S	REVISION No.	01
THIRD ANGLE PROJECTION					

REF. No. - **(A)**

FORM CE-14-0100-444 2013.11.20

HYOSUNG HEAVY INDUSTRIES

TYPE F1VM_20_11kW_5~10:1_프리미엄

이 도면상에 표시된 정보는 호성중공업(주)의 소유이며 당사의 사전 서면동의 없이 무단사용을 금합니다.