

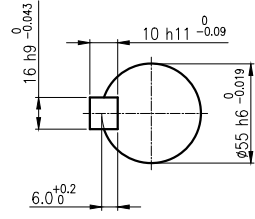
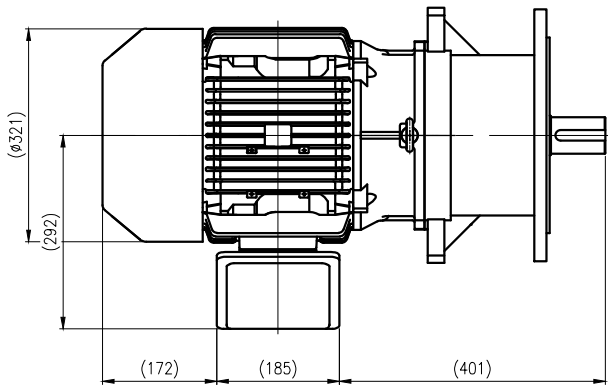
	1	2	3	4	5
No.	NAME	MATERIAL	DWG/MATL No.	CODE	Q'TY
					0
				SIZE	WEIGHT
					REMARK

A

A

B

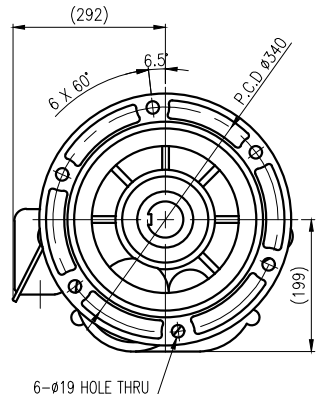
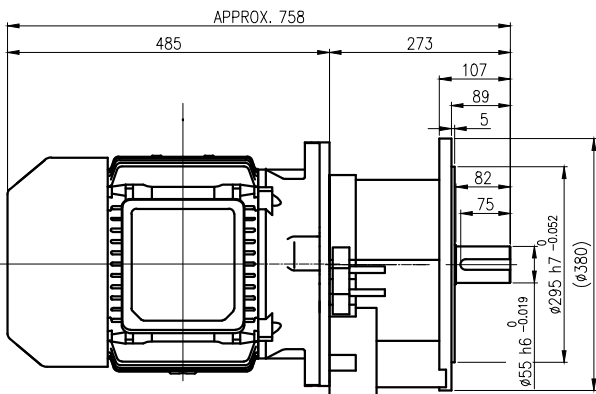
B



OUTPUT SHAFT
KEY 16 x 10 x 67

C

C



D

D

E

			BEARING		
			INPUT SHAFT	6309ZZ 6310ZZ	
			2ND PINION	6208ZZ 6308ZZ	GREASE : NLGI(EP)00
MOTOR SHAFT	D(M) 45x68x12		3RD PINION	-	ABOUT 4.6 kg
OUTPUT SHAFT	D(M) 60x85x12	OUTPUT SHAFT	PM4530 22212		WEIGHT 216 kg

F

		DWG NAME		OUTLINE DIMENSION			
		DWG No. EK2DO08342H0001		UNIT	mm		
				SCALE	1:1		
No.	DATE	DESCRIPTION of REVISION		DESIGNED	CHECKED	REVIEWED	APPROVED
							DATE 2021-08-25
A4(210X297mm) FORM CE-14-0100-444 2013.11.20			KIM.H.U	HONG.W.C JUNG.C.S		REVISION No.	01
			TYPE F1VM_20_11kW_5~10:1_프리미엄		THIRD ANGLE PROJECTION		
		REF. No.	-				(A)

이 도면상에 표시된 정보는 호성중공업(주)의 소유이며 당사의 사전 서면동의 없이 무단사용을 금합니다.