

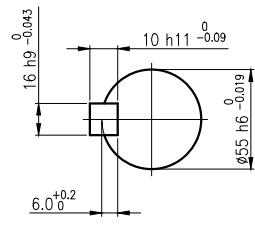
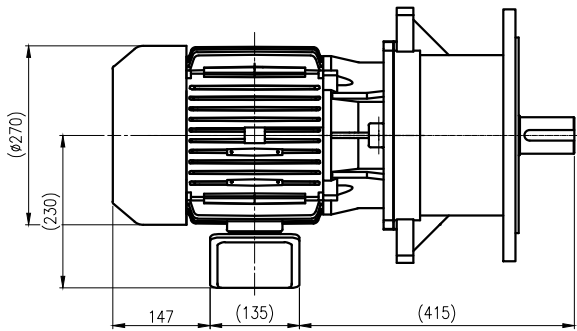
1	2	3	4	5				
No.	NAME	MATERIAL	DWG/MATL No.	CODE	Q'TY	SIZE	WEIGHT	REMARK
					0			

A

A

B

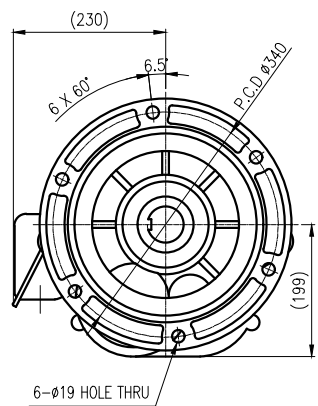
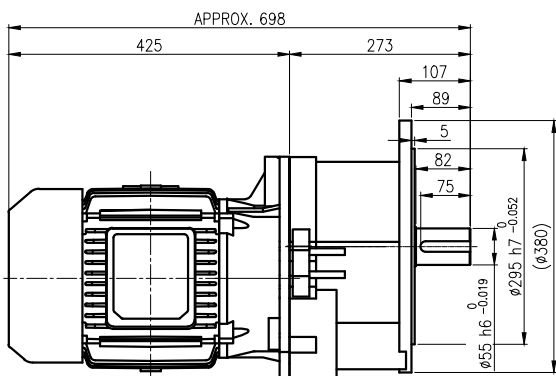
B



OUTPUT SHAFT
KEY 16 x 10 x 67

C

C



6-φ19 HOLE THRU

E

		BEARING		
		INPUT SHAFT	6207ZZ 6308ZZ	
OIL SEAL		2ND PINION	6208ZZ 6308ZZ	GREASE : NLGI(EP)00
MOTOR SHAFT	D(M) 40x62x11	3RD PINION	-	ABOUT 4.6 kg
OUTPUT SHAFT	D(M) 60x85x12	OUTPUT SHAFT	PM4530 22212	WEIGHT 153 kg

F

		DWG NAME				OUTLINE DIMENSION			
		DWG No. EK2DO08341H0001		UNIT	mm				
				SCALE	1:1				
No.	DATE	DESCRIPTION of REVISION		DESIGNED	CHECKED	REVIEWED	APPROVED	DATE	2021-08-25
A4(210X297mm)	FORM CE-14-0100-444 2013.11.20			KIM.H.U		HONG.W.C	JUNG.C.S	REVISION No.	01
TYPE F1VM_20_7.5kW_15~30:1_프리미엄				REF. No.					THIRD ANGLE PROJECTION

(A)

이 도면상에 표시된 정보는 호성중공업(주)의 소유이며 당사의 사전 서면동의 없이 무단사용을 금합니다.