

1	2	3	4	5				
No.	NAME	MATERIAL	DWG/MATL No.	CODE	Q'TY	SIZE	WEIGHT	REMARK
					0			

A

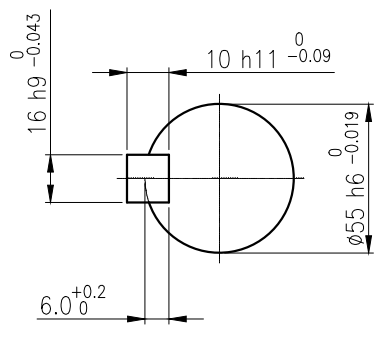
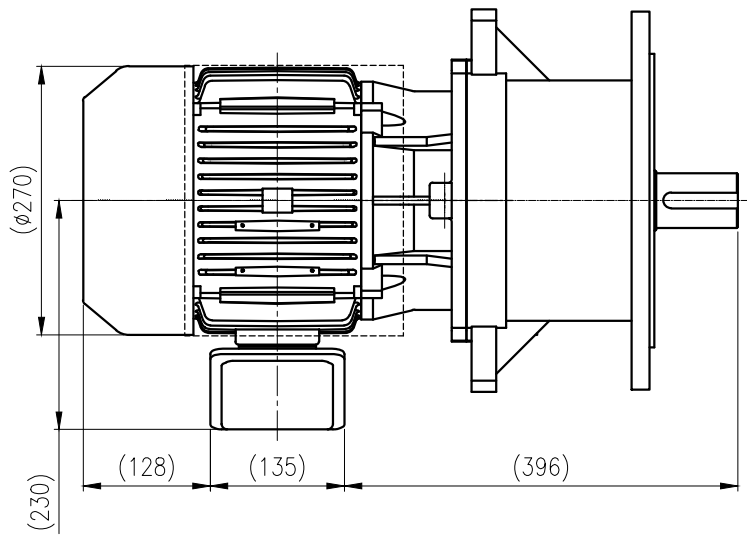
B

C

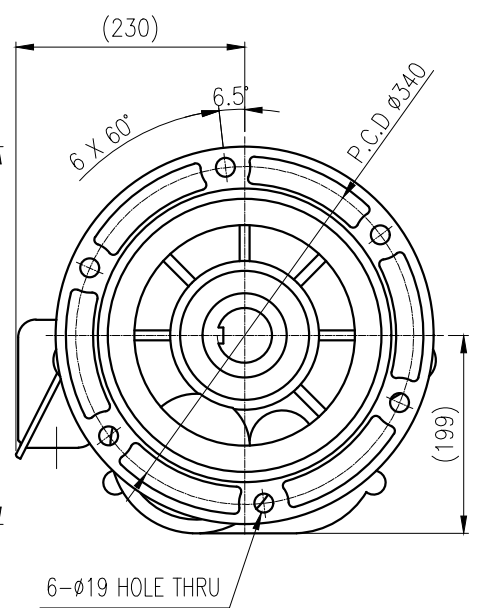
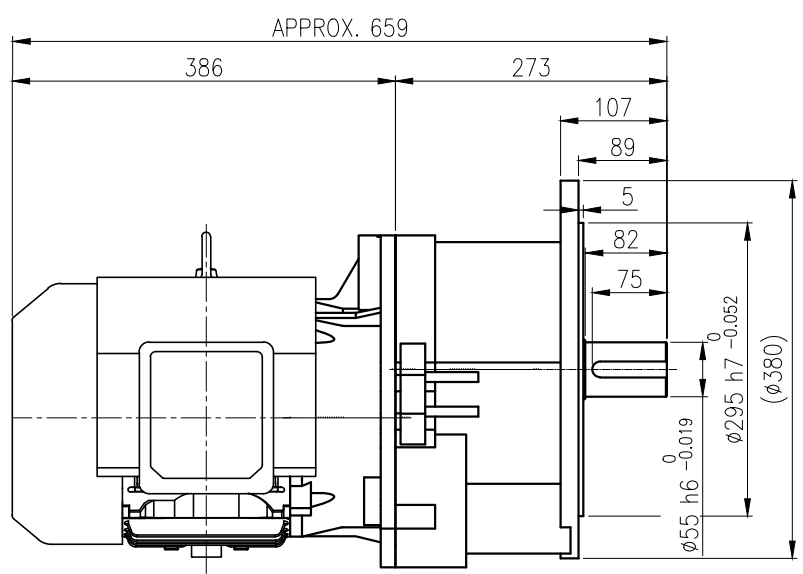
D

E

F



**OUTPUT SHAFT**  
KEY 16 x 10 x 67



6-Ø19 HOLE THRU

		BEARING		
		INPUT SHAFT	6207ZZ 6308ZZ	
OIL SEAL		2ND PINION	6208ZZ 6308ZZ	GREASE : NLGI(EP)00
MOTOR SHAFT	D(M) 40x62x11	3RD PINION	-	ABOUT 4.6 kg
OUTPUT SHAFT	D(M) 60x85x12	OUTPUT SHAFT	PM4530 22212	WEIGHT 148 kg

		DWG NAME		외형도 OUTLINE DIMENSION	
		DWG No.		E K2D008340W0001	
		UNIT		mm	
		SCALE		1:1	
No.	DATE	DESIGNED	CHECKED	REVIEWED	APPROVED
DESCRIPTION of REVISION					
A4(210X297mm) FORM CE-14-0100-444 2013.11.20		KIM.H.U		HONG.W.C	JUNG.C.S
TYPE		F1VM_20_5.5W_30:1_프리미엄		DATE	2021-08-25
		REF. No.		-	
				REVISION No.	01
				THIRD ANGLE PROJECTION	
				A	

이 도면상에 표시된 정보는 호성중공업(주)의 소유이며 당사의 사전 서면동의 없이 무단사용을 금합니다.