

1	2	3	4	5				
No.	NAME	MATERIAL	DWG/MATL No.	CODE	Q'TY	SIZE	WEIGHT	REMARK
					0			

A

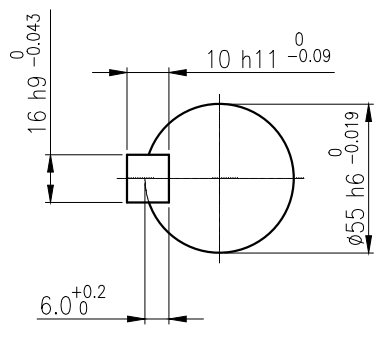
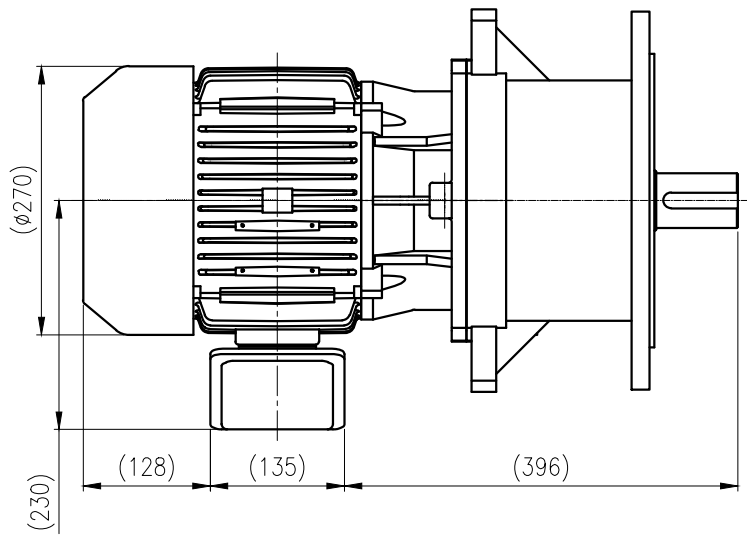
B

C

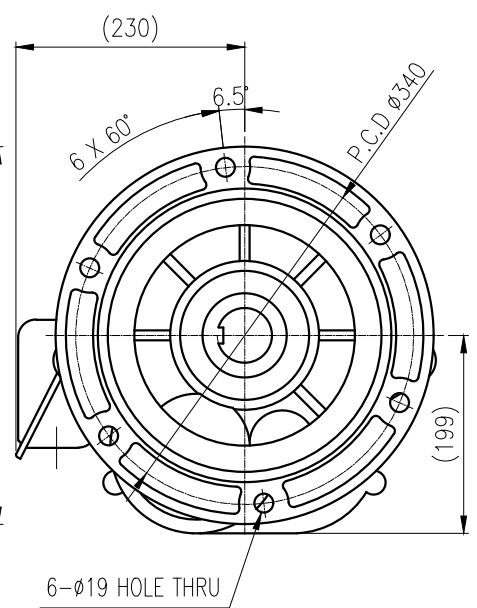
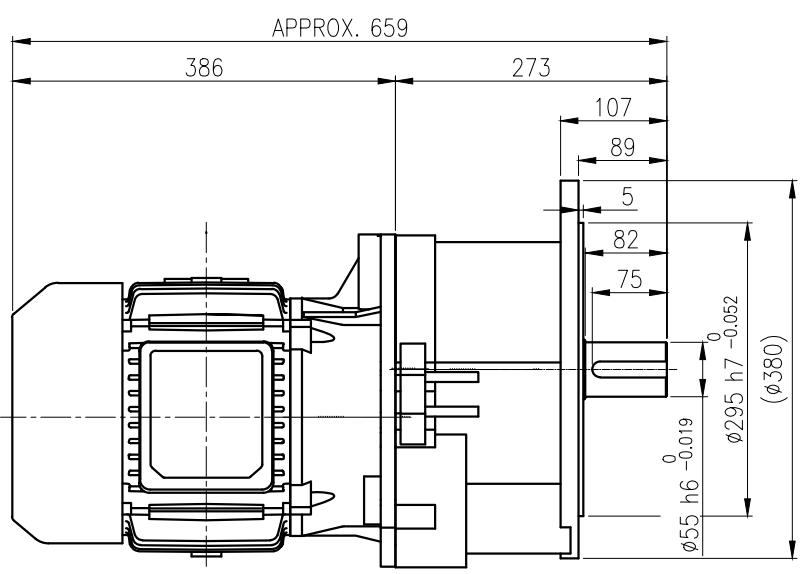
D

E

F



**OUTPUT SHAFT**  
KEY 16 x 10 x 67



		BEARING		
		INPUT SHAFT	6207ZZ 6308ZZ	
OIL SEAL		2ND PINION	6208ZZ 6308ZZ	GREASE : NLGI(EP)00
MOTOR SHAFT	D(M) 40x62x11	3RD PINION	-	ABOUT 4.6 kg
OUTPUT SHAFT	D(M) 60x85x12	OUTPUT SHAFT	PM4530 22212	WEIGHT 148 kg

		DWG NAME		외형도 OUTLINE DIMENSION	
		DWG No.		E K 2 D O 0 8 3 4 0 H 0 0 0 1	
		UNIT		mm	
		SCALE		1:1	
No.	DATE	DESIGNED	CHECKED	REVIEWED	APPROVED
DESCRIPTION of REVISION		DATE		2021-08-25	
		REVISION No.		01	
		THIRD ANGLE PROJECTION			
TYPE		REF. No.		-	
F1VM_20_5.5W_30:1_프리미엄		KIM.H.U		HONG.W.C JUNG.C.S	

The information written in this drawing is HYOSUNG HEAVY INDUSTRIES's property, and may not be disclosed and/or reproduced without the prior official permission of HYOSUNG HEAVY INDUSTRIES Corp.

이 도면상에 표시된 정보는 호성중공업(주)의 소유이며 당사의 사전 서면동의 없이 무단사용을 금합니다.