

1	2		3		4		5	
No.	NAME	MATERIAL	DWG/MATL No.	CODE	Q'TY	SIZE	WEIGHT	REMARK
					0			

A

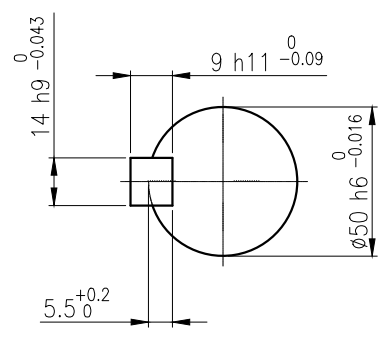
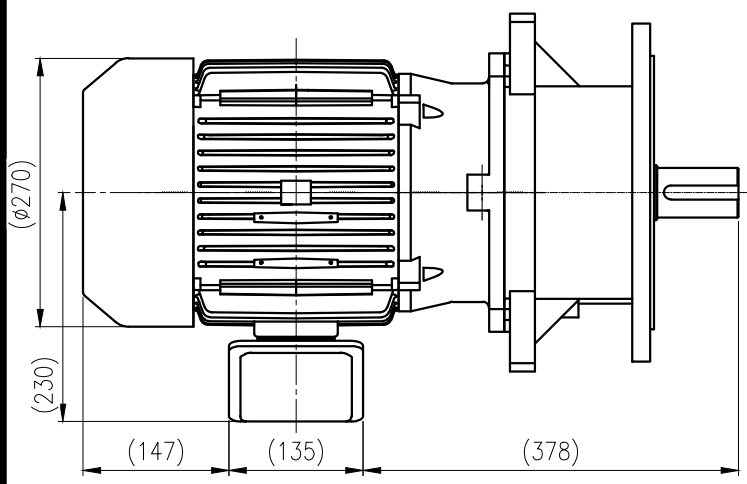
B

C

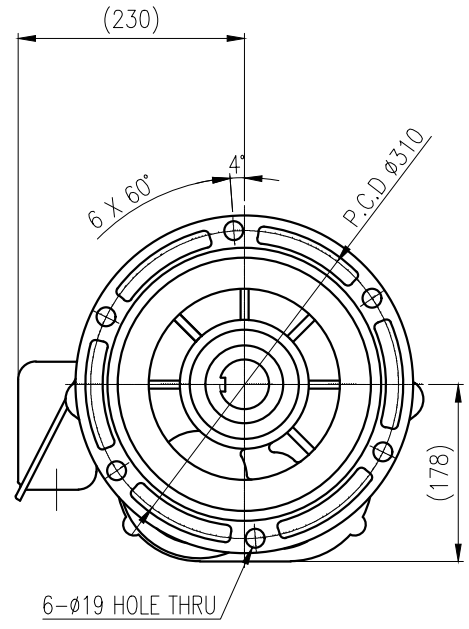
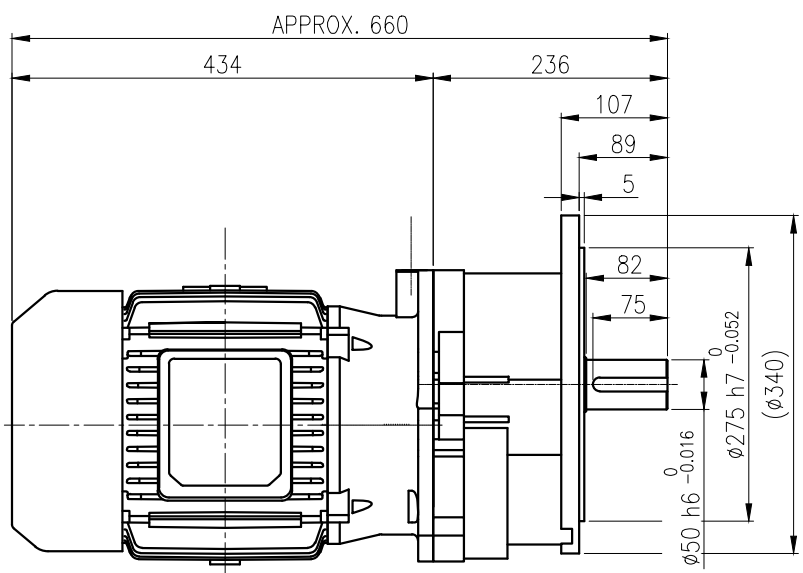
D

E

F



OUTPUT SHAFT
KEY 14 x 9 x 68



		BEARING		
		INPUT SHAFT	6207ZZ 6308ZZ	
	OIL SEAL	2ND PINION	6206ZZ 6307ZZ	GREASE : NLGI(EP)00
MOTOR SHAFT	D(M) 40x62x11	3RD PINION	-	ABOUT 3.5 kg
OUTPUT SHAFT	D(M) 55x78x12	OUTPUT SHAFT	PM3530 22211	WEIGHT 132 kg

		DWG NAME		외형도 OUTLINE DIMENSION	
		DWG No.		EK2DO08339H0001	UNIT mm
				SCALE	1:1
No.	DATE	DESCRIPTION of REVISION		DESIGNED	CHECKED
				REVIEWED	APPROVED
				DATE	2021-08-25
A4(210X297mm)		FORM		REVISION No. 01	
CE-14-0100-444		2013.11.20		THIRD ANGLE PROJECTION	
TYPE		F1VM_18_7.5kW_5~10:1_프리미엄		REF. No. -	
				A	

이 도면상에 표시된 정보는 호성중공업(주)의 소유이며 당사의 사전 서면동의 없이 무단사용을 금합니다.