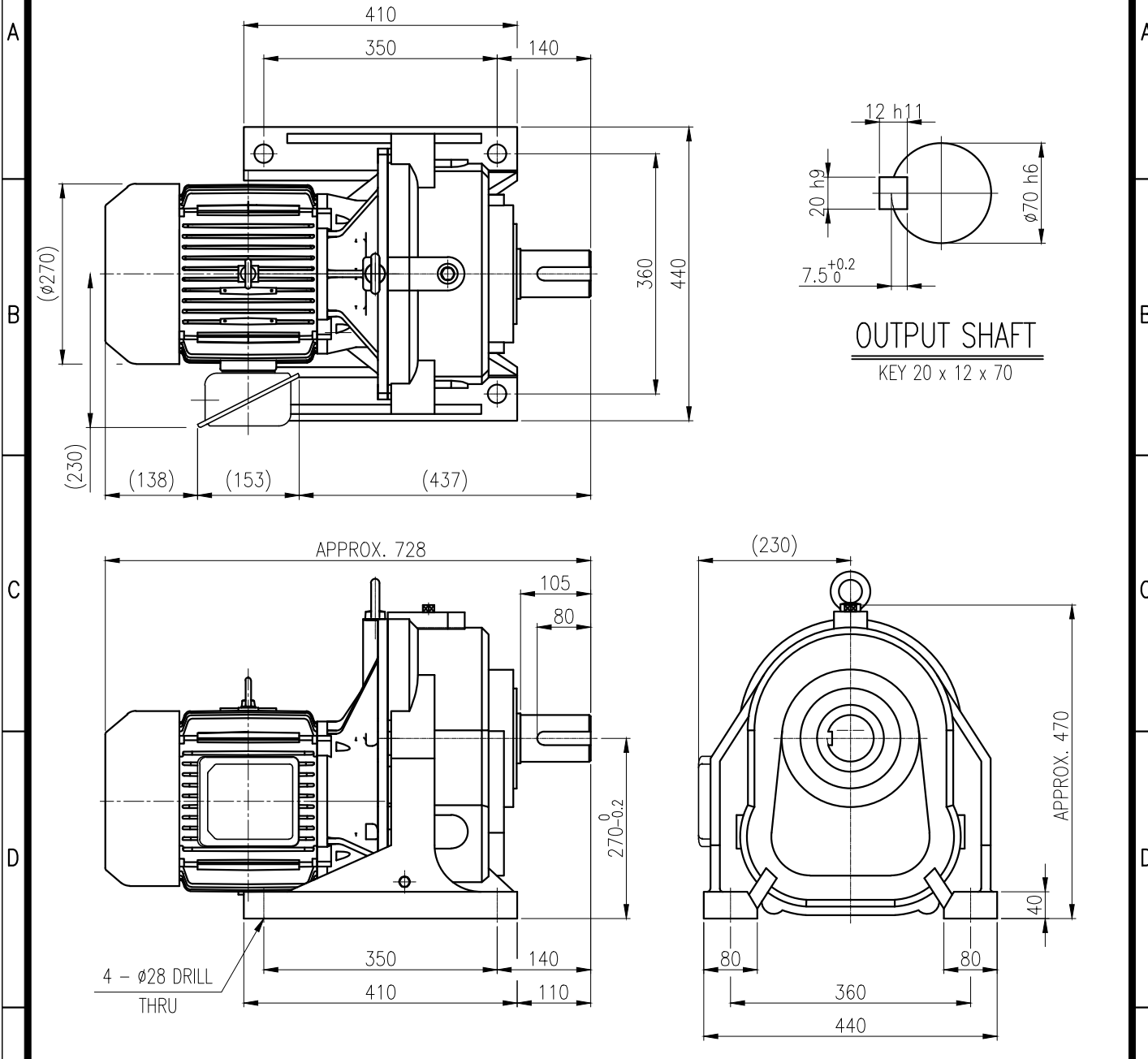


1	2	3	4	5				
No.	NAME	MATERIAL	DWG/MATL No.	CODE	Q'TY	SIZE	WEIGHT	REMARK
					0			



OUTPUT SHAFT
KEY 20 x 12 x 70

		BEARING			
		INPUT SHAFT	6207ZZ	6308ZZ	
OIL SEAL		2ND PINION	6306ZZ	6306ZZ	GREASE : NLGI(EP)00
MOTOR SHAFT	D(M)40x62x11	3RD PINION	6307ZZ	6308ZZ	ABOUT 3.0 kg
OUTPUT SHAFT	D(M)75x100x13	OUTPUT SHAFT	6311ZZ	21315	WEIGHT 204 kg

		DWG NAME		외형도 OUTLINE DIMENSION	
		DWG No.		E K 2 D O 0 8 3 3 5 H 0 0 0 1	
		UNIT		mm	
		SCALE		1:1	
No.	DATE	DESIGNED		CHECKED	REVIEWED
DESCRIPTION of REVISION		APPROVED		DATE	2021-08-25
A4(210X297mm) FORM CE-14-0100-444 2013.11.20		KIM.H.U		HONG.W.C JUNG.C.S	
TYPE		F1HM_27_7.5kW_40~60:1_프리미엄		REVISION No. 01	
		REF. No.		THIRD ANGLE PROJECTION	
				A	

The information written in this drawing is HYOSUNG HEAVY INDUSTRIES's property, and may not be disclosed and/or reproduced without the prior official permission of HYOSUNG HEAVY INDUSTRIES Corp.

이 도면상에 표시된 정보는 호성중공업(주)의 소유이며 당사의 사전 서면동의 없이 무단사용을 금합니다.