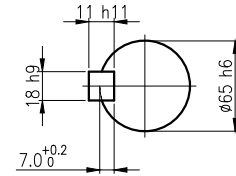
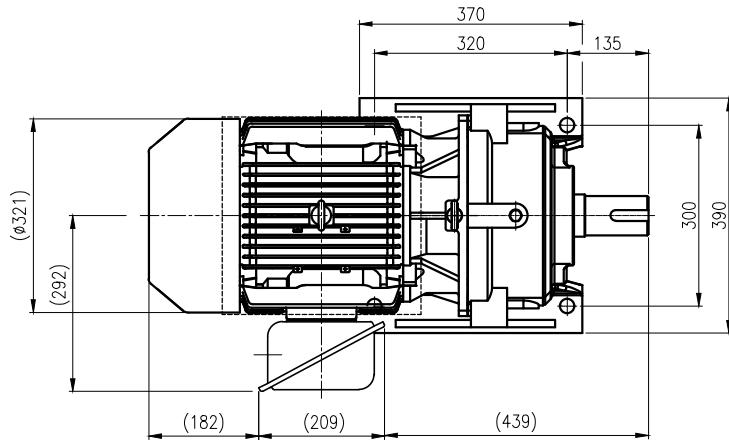
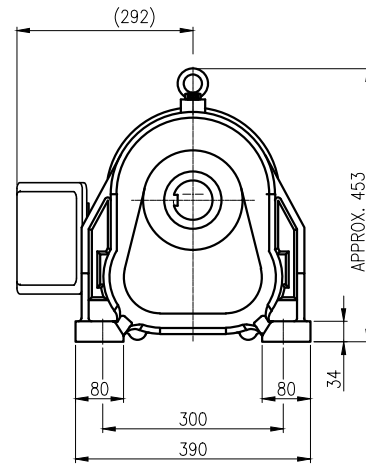
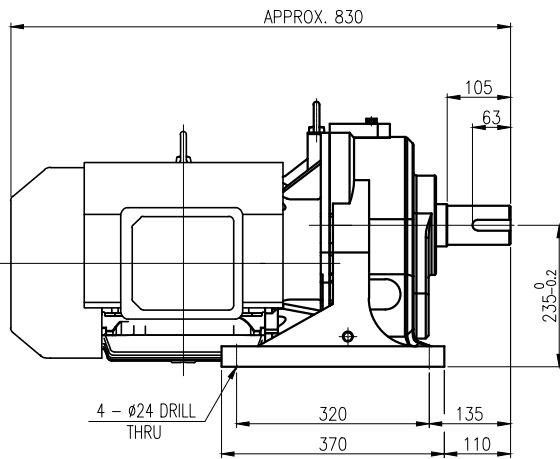


	1	2	3	4	5
No.	NAME	MATERIAL	DWG/MATL No.	CODE	Q'TY
					0
				SIZE	WEIGHT
					REMARK



OUTPUT SHAFT
KEY 18 x 11 x 54



		BEARING			
		INPUT SHAFT	6309ZZ	6310ZZ	
OIL SEAL		2ND PINION	6207ZZ	6309ZZ	GREASE : NLGI(EP)00
MOTOR SHAFT	D(M) 45x68x12	3RD PINION	-	-	ABOUT 2.5 kg
OUTPUT SHAFT	D(M) 70x95x13	OUTPUT SHAFT	PM5060	22214	WEIGHT 242 kg

		외형도 OUTLINE DIMENSION			
		DWG No. EK2DO08333W0001		UNIT	mm
				SCALE	1:1
No.	DATE	DESCRIPTION of REVISION		DESIGNED	CHECKED
				REVIEWED	APPROVED
				DATE	2021-08-25
A4(210x297mm) FORM CE-14-0100-444 2013.11.20	HYOSUNG HEAVY INDUSTRIES		KIM.H.U	HONG.W.C	JUNG.C.S
			REVISION No. 01		THIRD ANGLE PROJECTION
TYPE F1HM_23_15KW_5~10:1_프리미엄		REF. No.	-		(A)

이 도면에 표시된 정보는 호성중공업(주)의 소유이며 당사의 사전 서면동의 없이 무단사용을 금합니다.