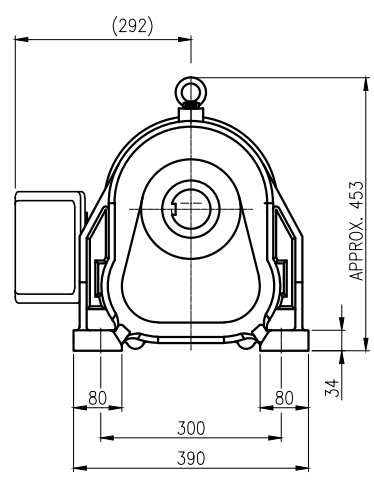
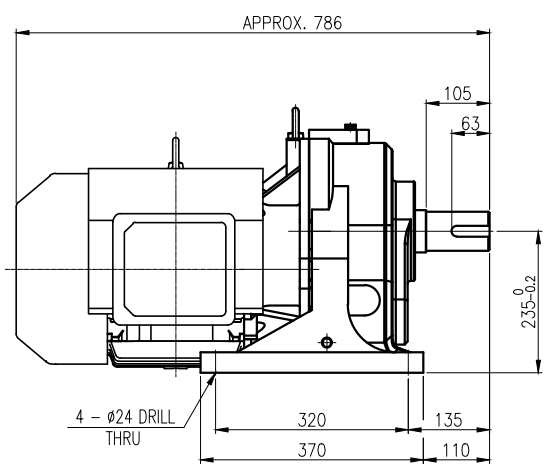
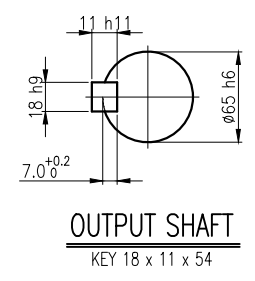
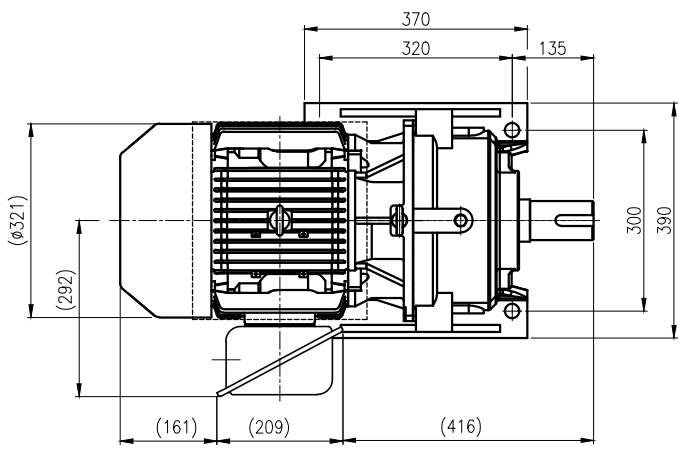


1	2	3	4	5				
No.	NAME	MATERIAL	DWG/MATL No.	CODE	Q'TY	SIZE	WEIGHT	REMARK
					0			



		BEARING			
		INPUT SHAFT	6309ZZ	6310ZZ	
OIL SEAL		2ND PINION	6207ZZ	6309ZZ	GREASE : NLGI(EP)00
MOTOR SHAFT	D(M) 45x68x12	3RD PINION	-	-	ABOUT 2.5 kg
OUTPUT SHAFT	D(M) 70x95x13	OUTPUT SHAFT	PM5060	22214	WEIGHT 236 kg

		DWG NAME		외형도 OUTLINE DIMENSION	
		DWG No.		EK2DO08332W0001	UNIT mm
				SCALE	1:1
No.	DATE	DESCRIPTION of REVISION		DESIGNED	CHECKED
				REVIEWED	APPROVED
				DATE	2021-08-25
A4(210X297mm) FORM CE-14-0100-444 2013.11.20				KIM.H.U	
				HONG.W.C JUNG.C.S	
TYPE		F1HM_23_11KW_15~20:1_프리미엄		REVISION No. 01	
		REF. No.		THIRD ANGLE PROJECTION	
				A	

The information written in this drawing is HYOSUNG HEAVY INDUSTRIES's property, and may not be disclosed and/or reproduced without the prior official permission of HYOSUNG HEAVY INDUSTRIES Corp.

이 도면상에 표시된 정보는 호성중공업(주)의 소유이며 당사의 사전 서면동의 없이 무단사용을 금합니다.