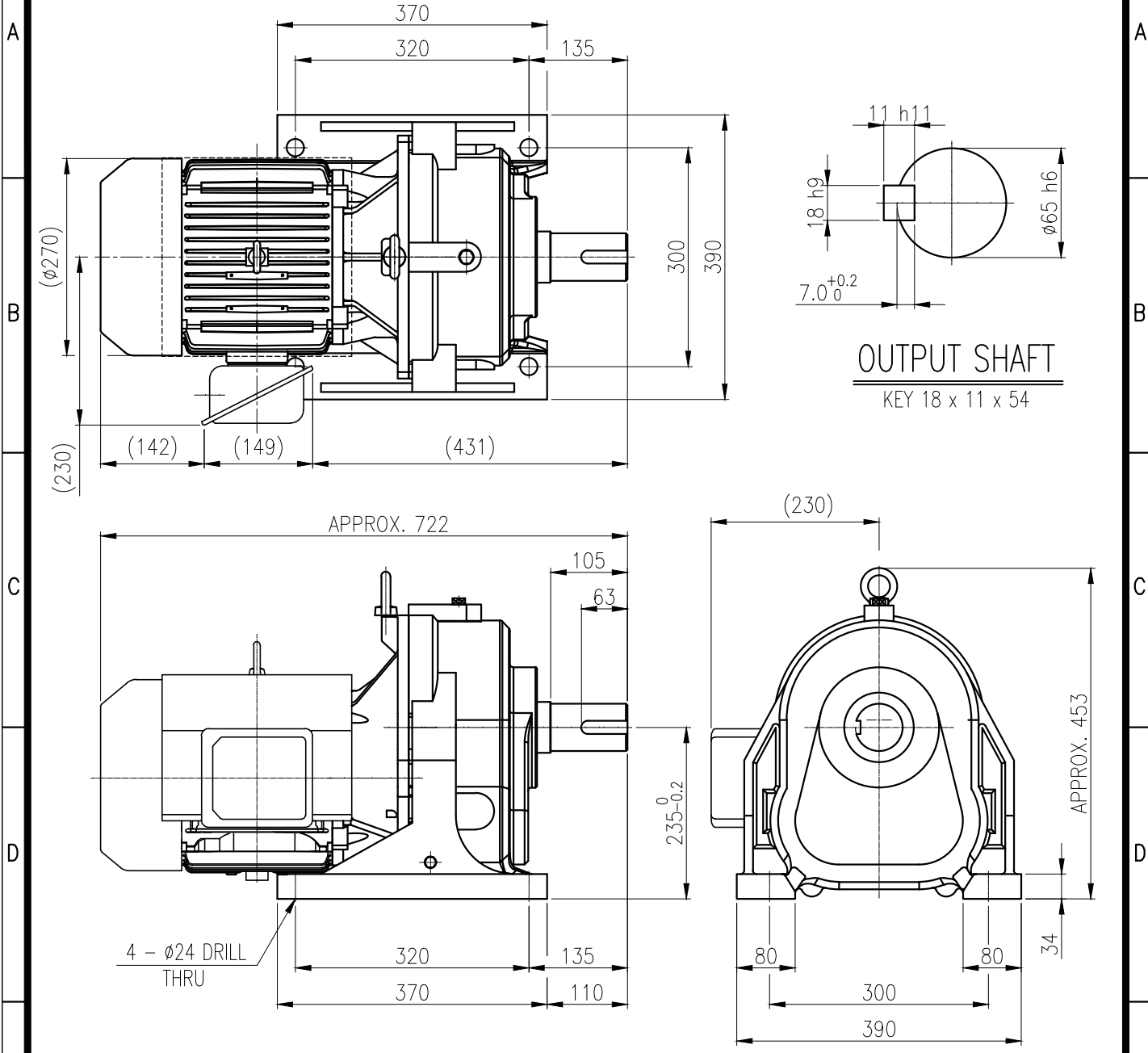


1	2	3	4	5				
No.	NAME	MATERIAL	DWG/MATL No.	CODE	Q'TY	SIZE	WEIGHT	REMARK
					0			



OUTPUT SHAFT
KEY 18 x 11 x 54

		BEARING			
		INPUT SHAFT	6207ZZ	6308ZZ	
OIL SEAL		2ND PINION	6207ZZ	6309ZZ	GREASE : NLGI(EP)00
MOTOR SHAFT	D(M) 40x62x11	3RD PINION	-	-	ABOUT 2.5 kg
OUTPUT SHAFT	D(M) 70x95x13	OUTPUT SHAFT	PM5060	22214	WEIGHT 173 kg

		외형도 OUTLINE DIMENSION			
		DWG No. EK2DO08331W0001		UNIT	mm
				SCALE	1:1
No.	DATE	DESCRIPTION of REVISION		DESIGNED	CHECKED
				REVIEWED	APPROVED
				DATE	2021-08-25
A4(210x297mm) FORM CE-14-0100-444 2013.11.20		HYOSUNG HEAVY INDUSTRIES		KIM.H.U	HONG.W.C JUNG.C.S
TYPE F1HM_23_7.5kW_30:1_프리미엄		REF. No.		-	
				REVISION No.	01
				THIRD ANGLE PROJECTION	
				(A)	

The information written in this drawing is HYOSUNG HEAVY INDUSTRIES's property, and may not be disclosed and/or reproduced without the prior official permission of HYOSUNG HEAVY INDUSTRIES Corp.

이 도면상에 표시된 정보는 호성중공업(주)의 소유이며 당사의 사전 서면동의 없이 무단사용을 금합니다.