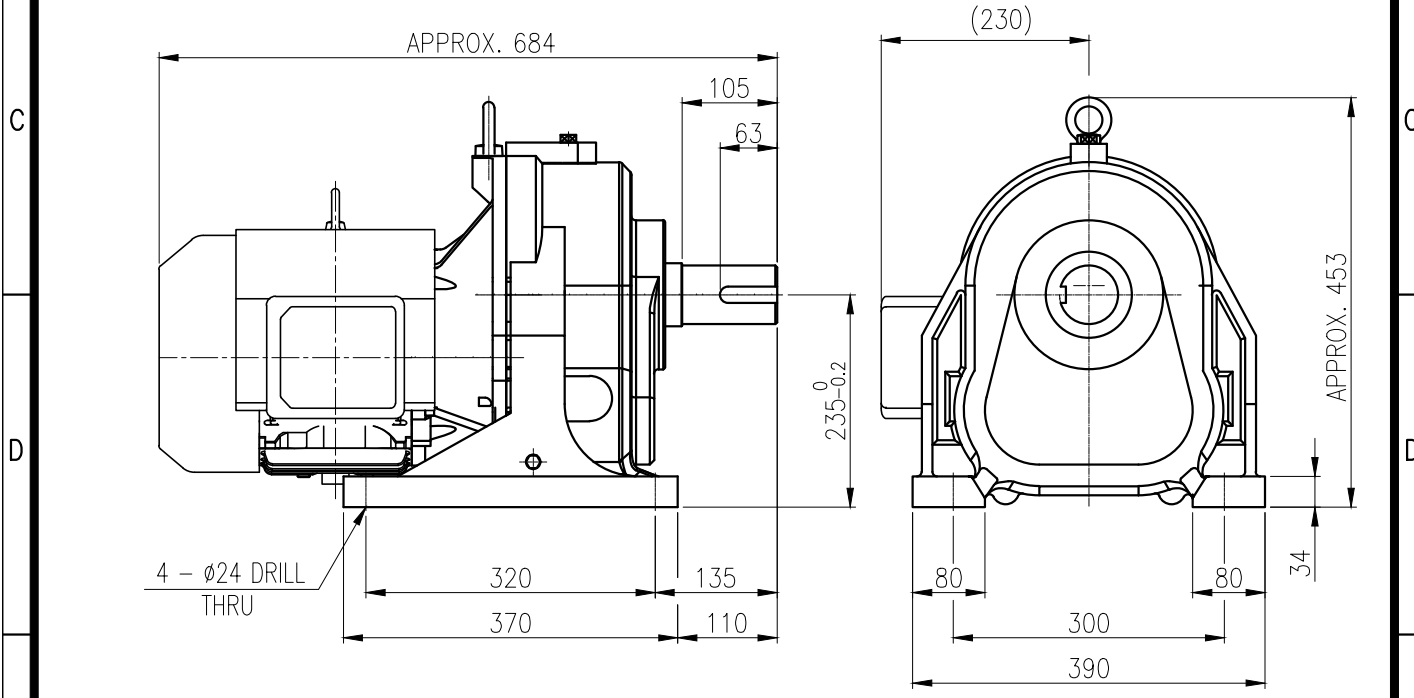
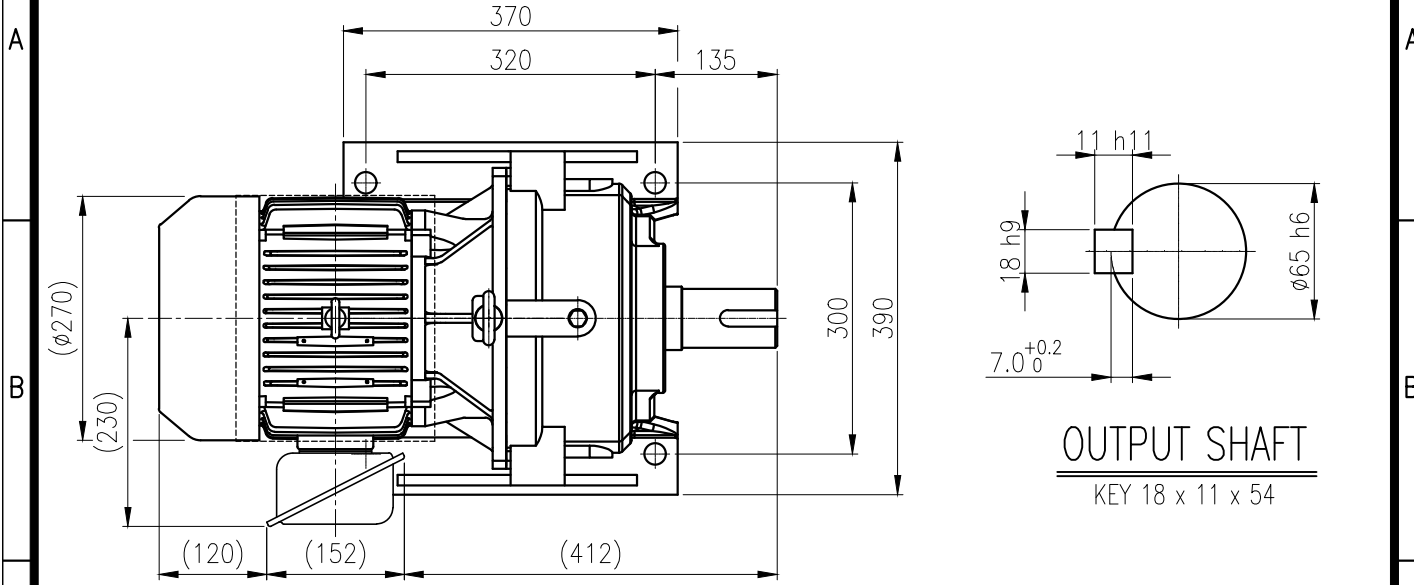


1	2	3	4	5				
No.	NAME	MATERIAL	DWG/MATL No.	CODE	Q'TY	SIZE	WEIGHT	REMARK
					0			



		BEARING		
		INPUT SHAFT	6207ZZ 6308ZZ	
OIL SEAL		2ND PINION	6207ZZ 6205ZZ	GREASE : NLGI(EP)00
MOTOR SHAFT	D(M) 40x62x11	3RD PINION	6207ZZ 6309ZZ	ABOUT 2.3 kg
OUTPUT SHAFT	D(M) 70x95x13	OUTPUT SHAFT	PM5060 22214	WEIGHT 168 kg

		DWG NAME		외형도 OUTLINE DIMENSION	
		DWG No.		EK2DO08330W0001	UNIT mm
				SCALE	1:1
No.	DATE	DESCRIPTION of REVISION		DESIGNED	CHECKED
				REVIEWED	APPROVED
				DATE	2021-08-25
FORM		HYOSUNG HEAVY INDUSTRIES		DESIGNED	KIM.H.U
CE-14-0100-444				CHECKED	
2013.11.20				REVIEWED	HONG.W.C
				APPROVED	JUNG.C.S
TYPE		F1HM_23_5.5kW_40~60:1_프리미엄		REVISION No.	01
				THIRD ANGLE PROJECTION	
		REF. No.		-	
				A	

The information written in this drawing is HYOSUNG HEAVY INDUSTRIES's property, and may not be disclosed and/or reproduced without the prior official permission of HYOSUNG HEAVY INDUSTRIES Corp.

이 도면상에 표시된 정보는 호성중공업(주)의 소유이며 당사의 사전 서면동의 없이 무단사용을 금합니다.