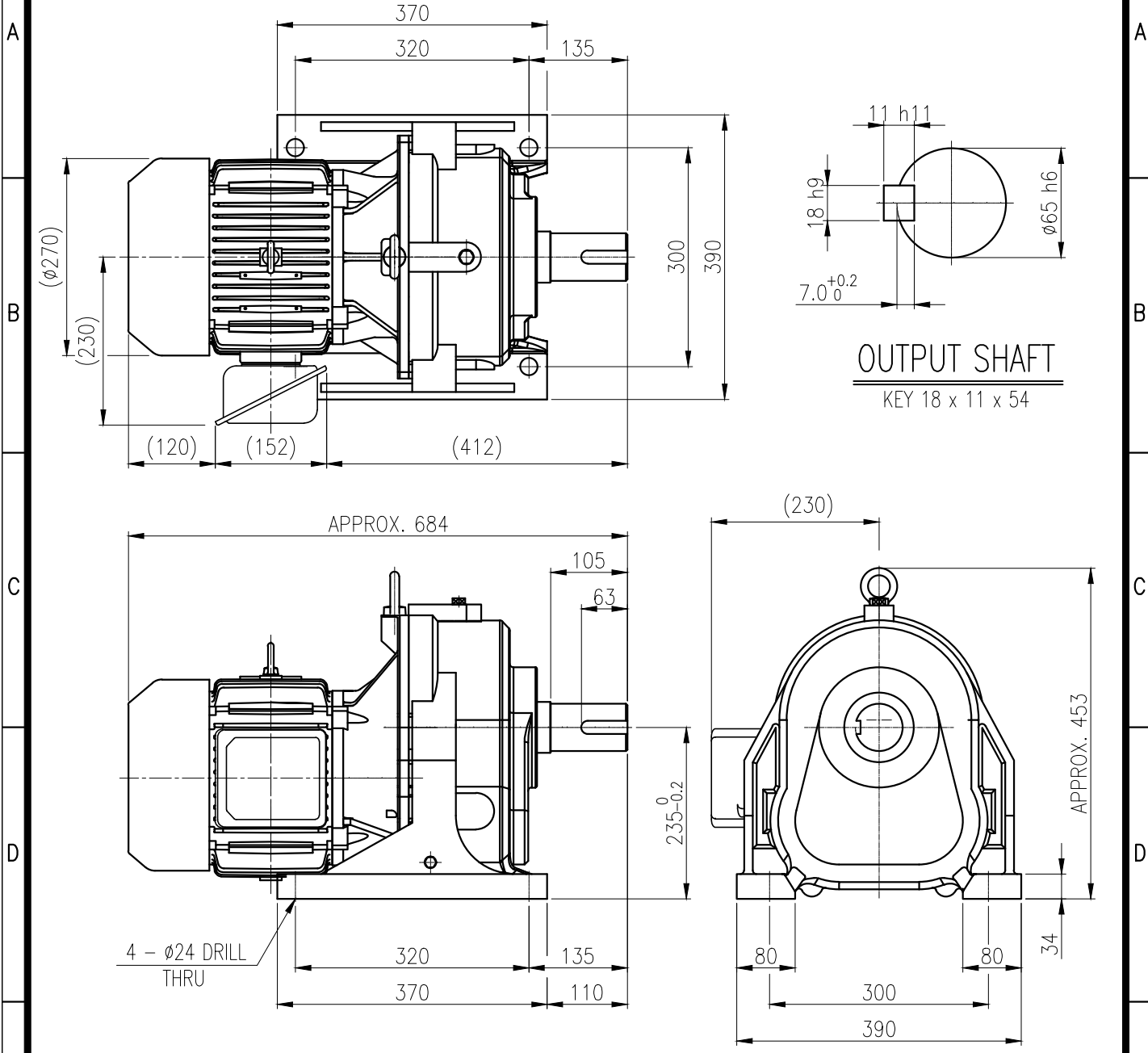


1	2	3	4	5				
No.	NAME	MATERIAL	DWG/MATL No.	CODE	Q'TY	SIZE	WEIGHT	REMARK
					0			



		BEARING			
		INPUT SHAFT	6207ZZ	6308ZZ	
OIL SEAL		2ND PINION	6207ZZ	6205ZZ	GREASE : NLGI(EP)00
MOTOR SHAFT	D(M) 40x62x11	3RD PINION	6207ZZ	6309ZZ	ABOUT 2.3 kg
OUTPUT SHAFT	D(M) 70x95x13	OUTPUT SHAFT	PM5060	22214	WEIGHT 168 kg

		DWG NAME		외형도 OUTLINE DIMENSION	
		DWG No.		E K 2 D O 0 8 3 3 0 H 0 0 0 1	
		UNIT		mm	
		SCALE		1:1	
No.	DATE	DESIGNED	CHECKED	REVIEWED	APPROVED
		KIM.H.U		HONG.W.C	JUNG.C.S
DESCRIPTION of REVISION		DATE	2021-08-25		
		REVISION No.	01		
		THIRD ANGLE PROJECTION			
TYPE		REF. No.		-	
F1HM_23_5.5kW_40~60:1_프리미엄				A	

The information written in this drawing is HYOSUNG HEAVY INDUSTRIES's property, and may not be disclosed and/or reproduced without the prior official permission of HYOSUNG HEAVY INDUSTRIES Corp.

이 도면상에 표시된 정보는 호성중공업(주)의 소유이며 당사의 사전 서면동의 없이 무단사용을 금합니다.