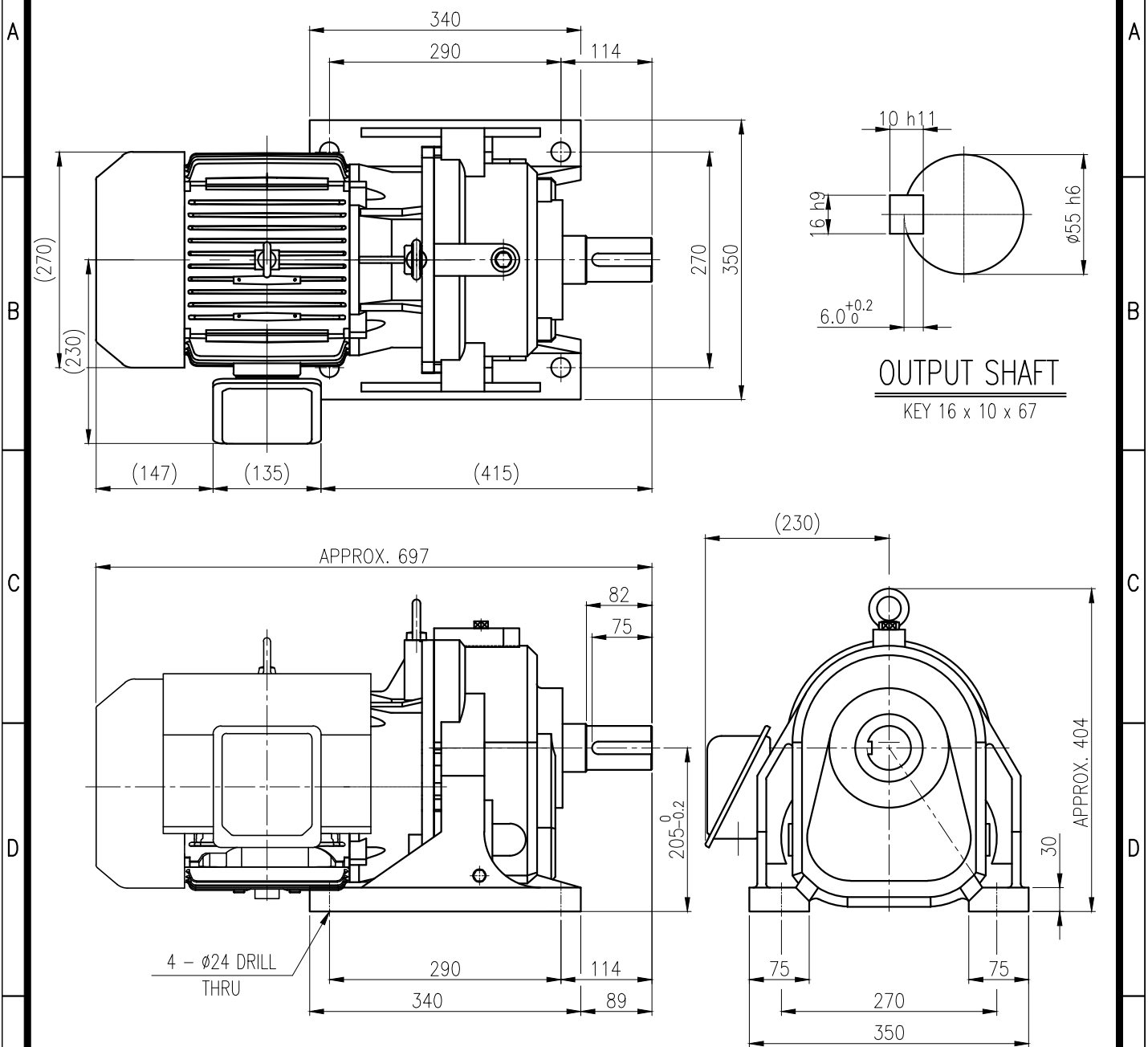


1	2	3	4	5				
No.	NAME	MATERIAL	DWG/MATL No.	CODE	Q'TY	SIZE	WEIGHT	REMARK
					0			



**OUTPUT SHAFT**  
KEY 16 x 10 x 67

		BEARING		
		INPUT SHAFT	6207ZZ 6308ZZ	
	OIL SEAL	2ND PINION	6208ZZ 6308ZZ	GREASE : NLGI(EP)00
MOTOR SHAFT	D(M)40x62x11	3RD PINION	-	ABOUT 1.5 kg
OUTPUT SHAFT	D(M)60x85x12	OUTPUT SHAFT	PM4530 22212	WEIGHT 149 kg

		DWG NAME		외형도 OUTLINE DIMENSION	
		DWG No.		UNIT	mm
		EK2DO08328W0001		SCALE	1:1
No.	DATE	DESIGNED	CHECKED	REVIEWED	APPROVED
		KIM.H.U		HONG.W.C	JUNG.C.S
DESCRIPTION of REVISION		DATE	2021-08-25		
		REVISION No.	01		
		THIRD ANGLE PROJECTION			
TYPE		REF. No.	-		
F1HM_20_7.5kW_15~30:1_프리미엄					

이 도면상에 표시된 정보는 호성중공업(주)의 소유이며 당사의 사전 서면동의 없이 무단사용을 금합니다.