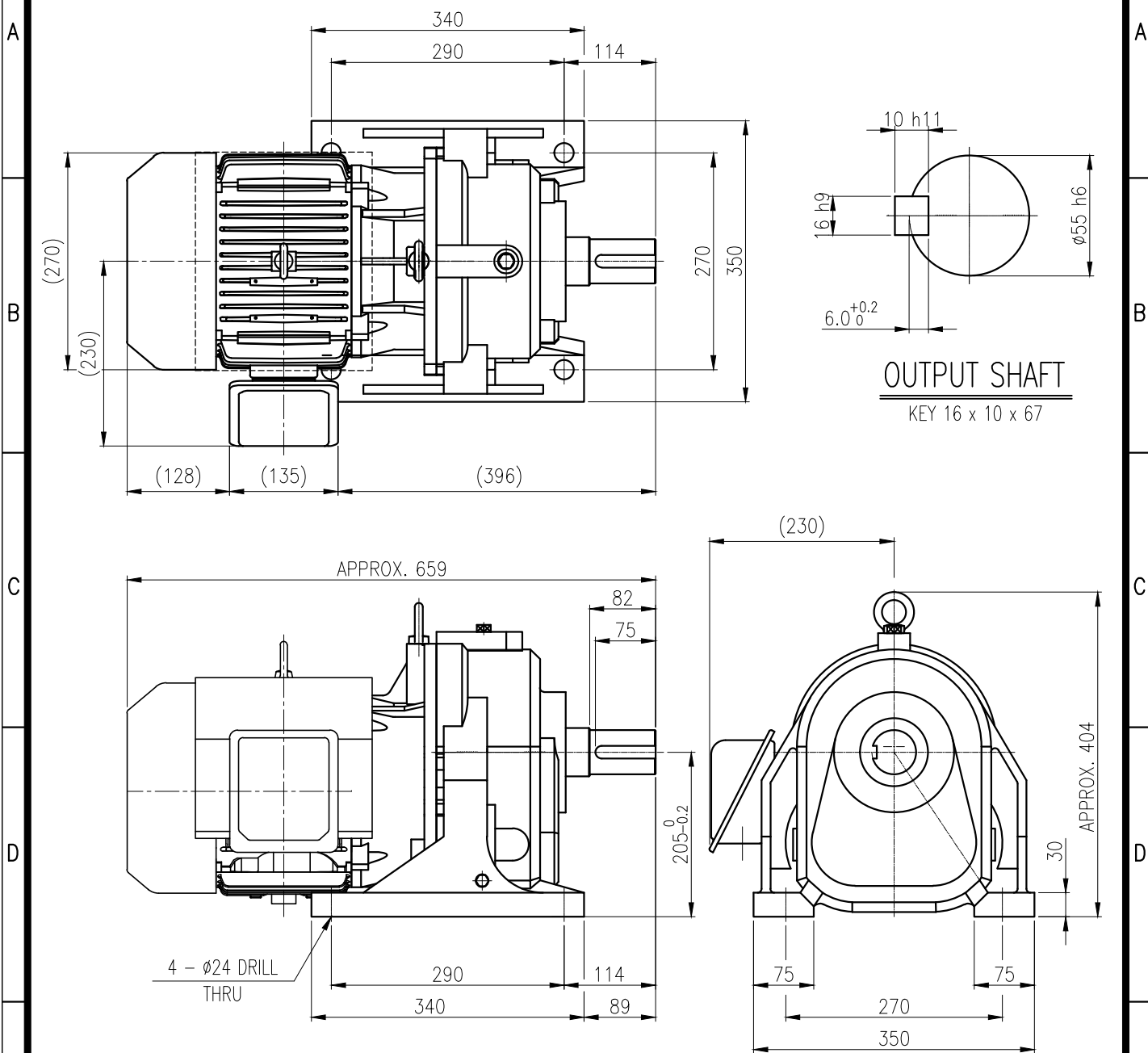


1	2		3		4		5	
No.	NAME	MATERIAL	DWG/MATL No.	CODE	Q'TY	SIZE	WEIGHT	REMARK
					0			



**OUTPUT SHAFT**  
KEY 16 x 10 x 67

		BEARING		
		INPUT SHAFT	6207ZZ	6308ZZ
OIL SEAL		2ND PINION	6208ZZ	6308ZZ
MOTOR SHAFT	D(M)40x62x11	3RD PINION	-	-
OUTPUT SHAFT	D(M)60x85x12	OUTPUT SHAFT	PM4530	22212
				GREASE : NLGI(EP)00
				ABOUT 1.5 kg
				WEIGHT 144 kg

		외형도 OUTLINE DIMENSION			
		DWG No.	<b>EK2DO08327W0001</b>		UNIT mm
					SCALE 1:1
No.	DATE	DESIGNED	CHECKED	REVIEWED	APPROVED
		KIM.H.U		HONG.W.C	JUNG.C.S
DESCRIPTION of REVISION		DATE	2021-08-25		
		REVISION No.	01		
		THIRD ANGLE PROJECTION			
TYPE F1HM_20_5.5kW_30:1_프리미엄		REF. No.	-		
A4(210X297mm) FORM CE-14-0100-444 2013.11.20		<b>HYOSUNG HEAVY INDUSTRIES</b>			

The information written in this drawing is HYOSUNG HEAVY INDUSTRIES's property, and may not be disclosed and/or reproduced without the prior official permission of HYOSUNG HEAVY INDUSTRIES Corp.

이 도면에 표시된 정보는 호성중공업(주)의 소유이며 당사의 사전 서면동의 없이 무단사용을 금합니다.