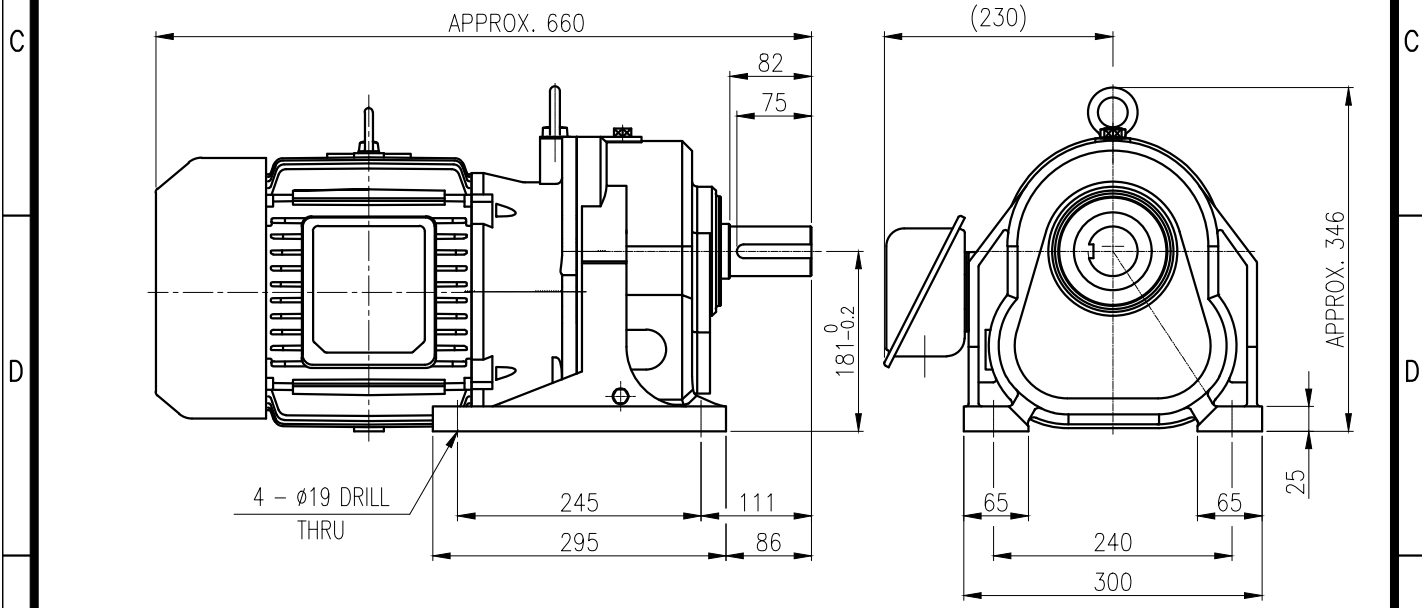
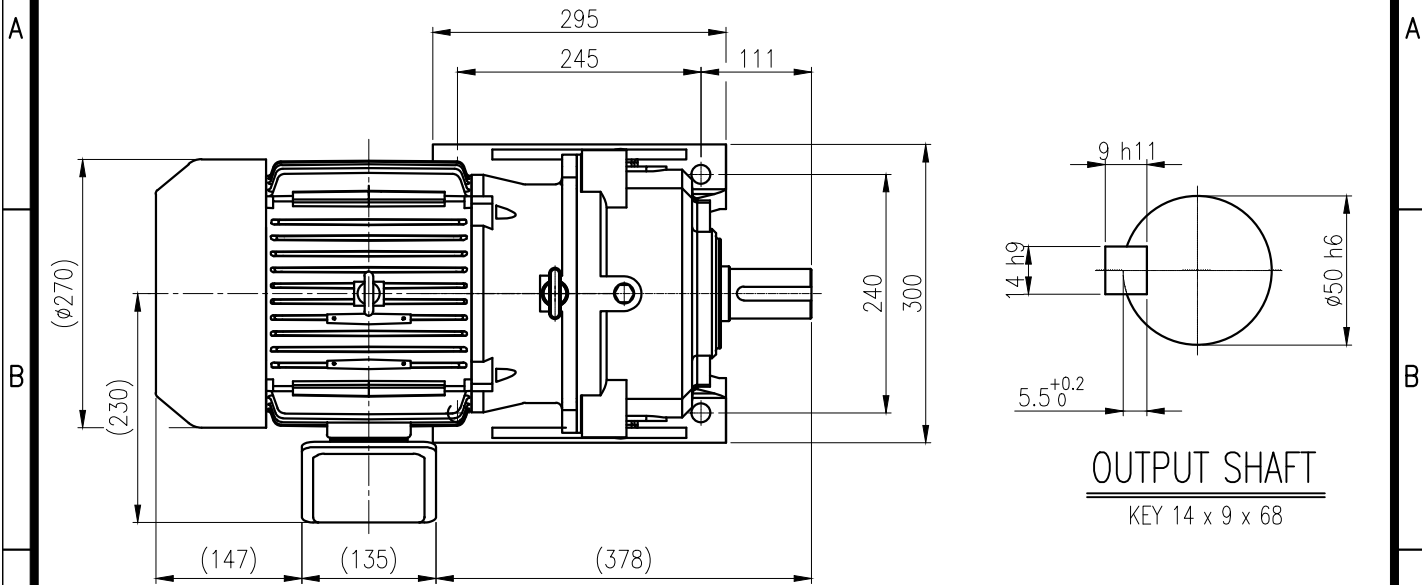


1	2	3	4	5				
No.	NAME	MATERIAL	DWG/MATL No.	CODE	Q'TY	SIZE	WEIGHT	REMARK
					0			



		BEARING		
		INPUT SHAFT	6207ZZ 6308ZZ	
	OIL SEAL	2ND PINION	6206ZZ 6307ZZ	GREASE : NLGI(EP)00
MOTOR SHAFT	D(M)40x62x11	3RD PINION	-	ABOUT 1.0 kg
OUTPUT SHAFT	D(M)55x78x12	OUTPUT SHAFT	PM3530 22211	WEIGHT 128 kg

		DWG NAME		외형도 OUTLINE DIMENSION	
		DWG No.		EK2DO08326H0001	UNIT mm
				SCALE	1:1
No.	DATE	DESIGNER		DESIGNED	CHECKED
		DESCRIPTION of REVISION		REVIEWED	APPROVED
				DATE	2021-08-24
				REVISION No.	01
				THIRD ANGLE PROJECTION	
				REF. No.	-
				(A)	

The information written in this drawing is HYOSUNG HEAVY INDUSTRIES's property, and may not be disclosed and/or reproduced without the prior official permission of HYOSUNG HEAVY INDUSTRIES Corp.

이 도면상에 표시된 정보는 호성중공업(주)의 소유이며 당사의 사전 서면동의 없이 무단사용을 금합니다.