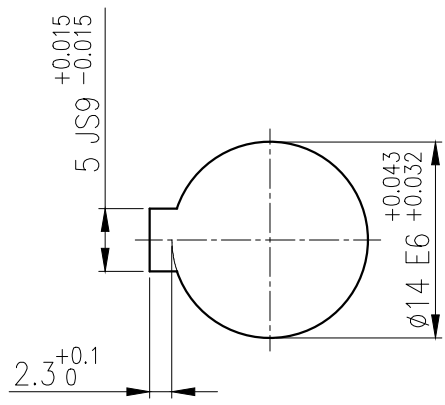
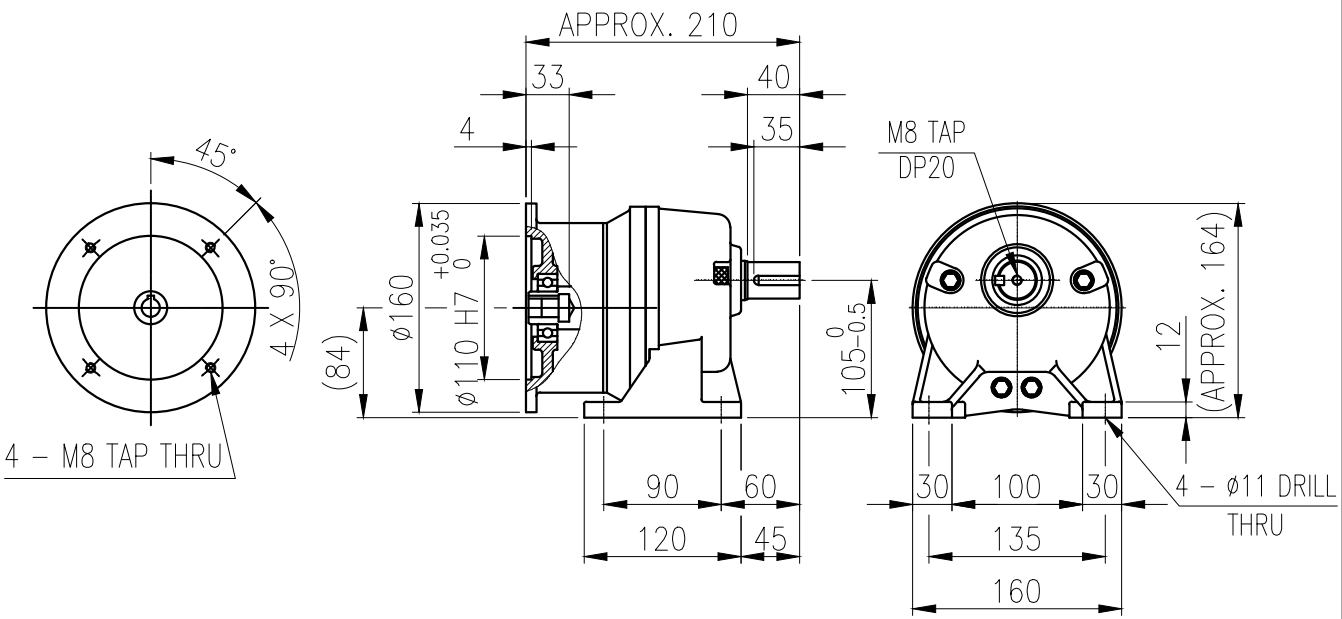
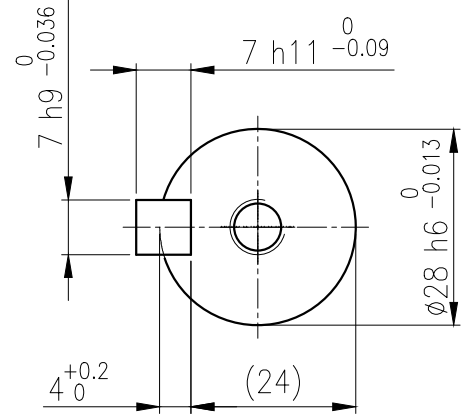


1	2	3	4	5				
No.	NAME	MATERIAL	DWG/MATL No.	CODE	Q'TY	SIZE	WEIGHT	REMARK
					0			



INPUT SHAFT
KEY 5 x 5



OUTPUT SHAFT
KEY 7 x 7 x 31

		BEARING		
		INPUT SHAFT	6205ZZ 6203ZZ	
OIL SEAL		2ND PINION	6200ZZ 6200ZZ	GREASE : NLGI(EP)00
INPUT SHAFT	D(M) 15 x 30 x 7	3RD PINION	(6200ZZ)(6301ZZ)	ABOUT 0.2 kg
OUTPUT SHAFT	D(M) 30 x 42 x 8	OUTPUT SHAFT	6006ZZ MP - 2	WEIGHT 7.5 kg

		DWG NAME 외형도 OUTLINE DIMENSION			
		DWG No. EK2D007906		UNIT mm	
				SCALE 1:1	
No.	DATE	DESCRIPTION of REVISION			
2019.06.12	2019.06.12	DESIGNED	CHECKED	REVIEWED	APPROVED
김민정	문병선	박희성	홍원철	DATE	2019-06-13
				REVISION No.	01
TYPE F1HF_10_0.4kW_5~100:1_JEC FLANGE TYPE		REF. No.		THIRD ANGLE PROJECTION	

The information written in this drawing is HYOSUNG HEAVY INDUSTRIES's property, and may not be disclosed and/or reproduced without the prior official permission of HYOSUNG HEAVY INDUSTRIES Corp.

이 도면상에 표시된 정보는 표상용이며 (단) 의 소유이며 영사의 사전 서면동의 없이 무단사용을 금합니다.