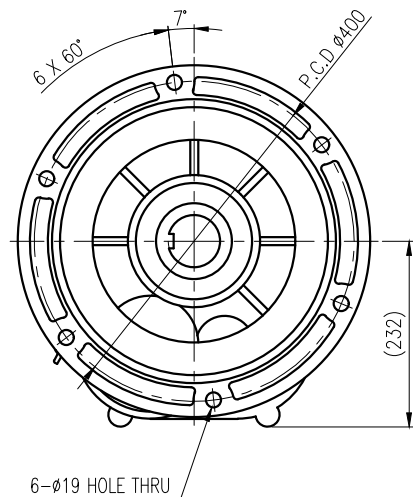
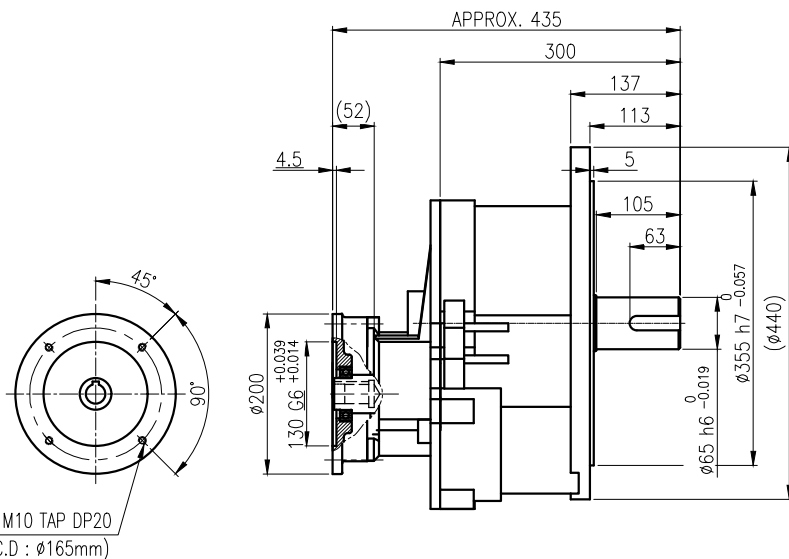
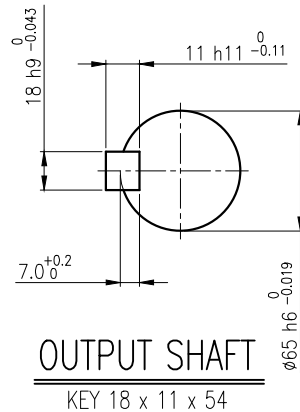
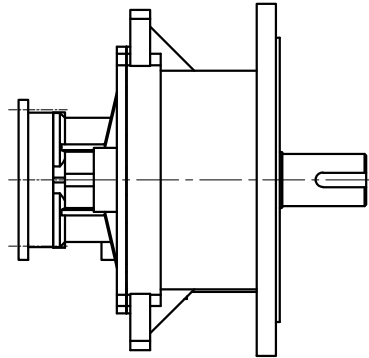
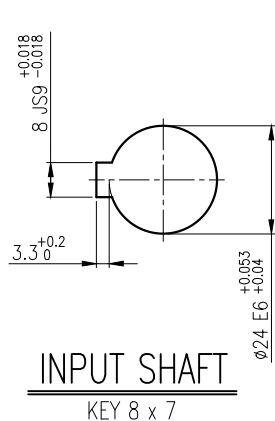


1	2	3	4	5				
No.	NAME	MATERIAL	DWG/MATL No.	CODE	Q'TY	SIZE	WEIGHT	REMARK
					0			



		BEARING			
		INPUT SHAFT	6008ZZ	6205ZZ	
OIL SEAL		2ND PINION	6204ZZ	6205ZZ	GREASE : NLGI(EP)00
INPUT SHAFT	D(M) 25 x 38 x 8	3RD PINION	6207ZZ	6309ZZ	ABOUT 7 kg
OUTPUT SHAFT	D(M) 70 x 95 x 13	OUTPUT SHAFT	PM5060	22214	WEIGHT 102 kg

		외형도 OUTLINE DIMENSION		DWG NAME					
		EK2D007898		UNIT	mm				
		SCALE		1:1					
No.	DATE	DESCRIPTION of REVISION		DESIGNED	CHECKED	REVIEWED	APPROVED	DATE	2019-06-410
1	22-06-02	IEC Flange 공용으로 전장 길이 수정 (412.5->434.5)		2022. 06. 02		2022. 06. 02	2022. 06. 02	REVISION No.	01
FORM		HYOSUNG HEAVY INDUSTRIES		김학묵	홍원철	정창석	THIRD ANGLE PROJECTION		
TYPE		F1VF_23_1.5kW_100~120:1_IEC FLANGE TYPE		REF. No.		-		A	