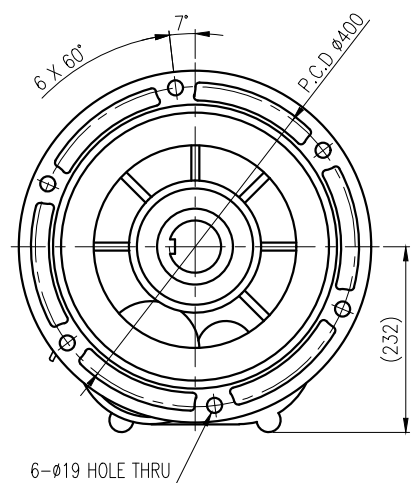
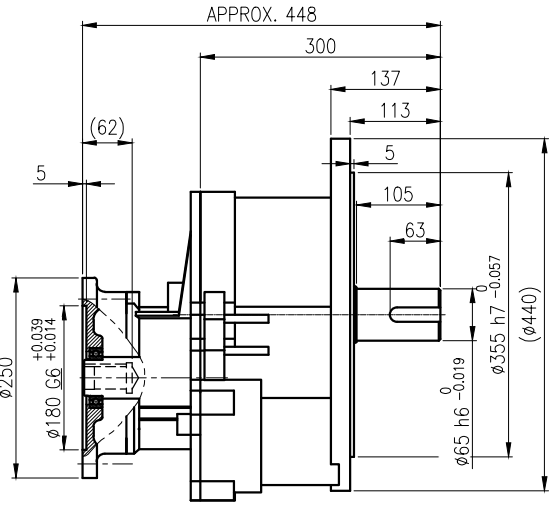
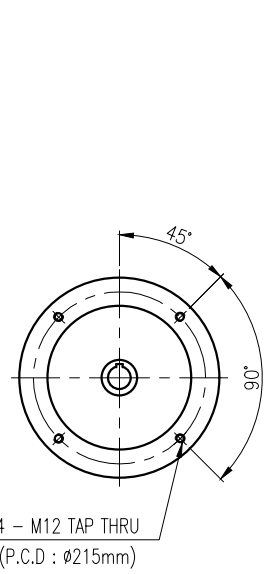
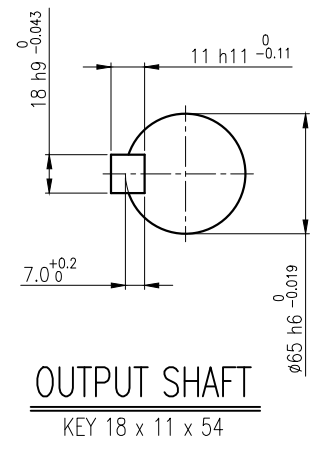
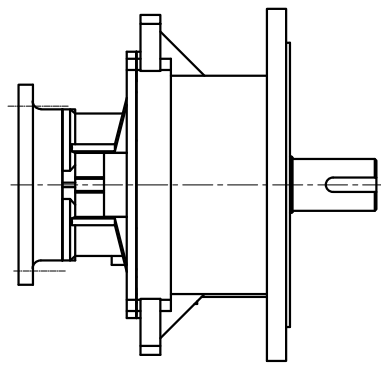
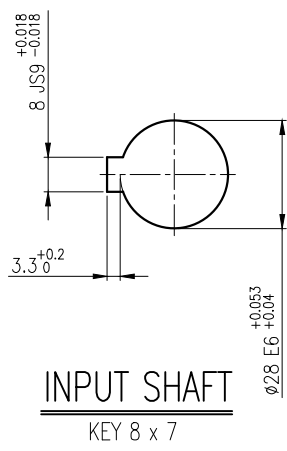


1	2	3	4	5				
No.	NAME	MATERIAL	DWG/MATL No.	CODE	Q'TY	SIZE	WEIGHT	REMARK
					0			



		BEARING			
		INPUT SHAFT	6009ZZ	6207ZZ	
OIL SEAL		2ND PINION	6205ZZ	6205ZZ	GREASE : NLGI(EP)00
INPUT SHAFT	D(M) 35 x 47 x 7	3RD PINION	6207ZZ	6309ZZ	ABOUT 7 kg
OUTPUT SHAFT	D(M) 70 x 95 x 13	OUTPUT SHAFT	PM5060	22214	WEIGHT 106 kg

		DWG NAME		외형도 OUTLINE DIMENSION	
		DWG No.		EK2D007897	
1		22-06-02		UNIT	mm
		IEC Flange 공용으로 전장 길이 수정 (419->447.5)		SCALE	1:1
No.	DATE	DESCRIPTION of REVISION		DESIGNED	2019-06-10
				CHECKED	
				REVIEWED	2022. 06. 02
				APPROVED	2022. 06. 02
				DATE	2019-06-10
				DESIGNED	2022. 06. 02
				CHECKED	김학목
				REVIEWED	홍원철
				APPROVED	정창석
				DATE	2019-06-10
				REVISION No.	01
				THIRD ANGLE PROJECTION	
				REF. No.	-
				A	

The information written in this drawing is HYOSUNG HEAVY INDUSTRIES's property, and may not be disclosed and/or reproduced without the prior official permission of HYOSUNG HEAVY INDUSTRIES Corp.

이 도면상에 표시된 정보는 효성중공업(주)의 소유이며 당사의 사전 서면동의 없이 무단사용을 금합니다.