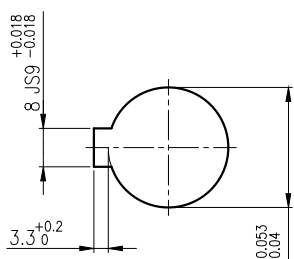
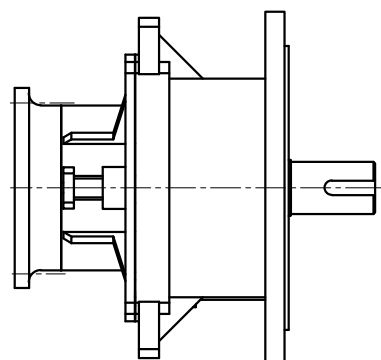
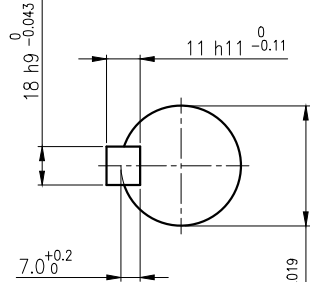
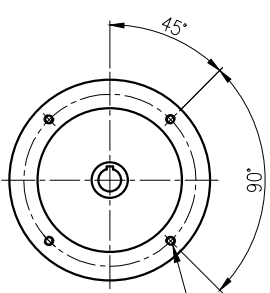
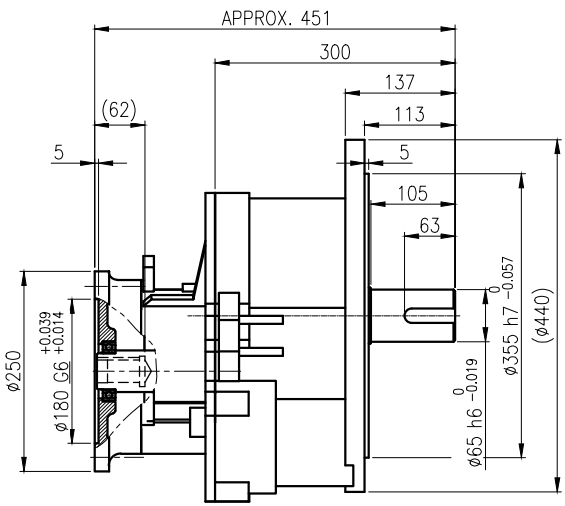
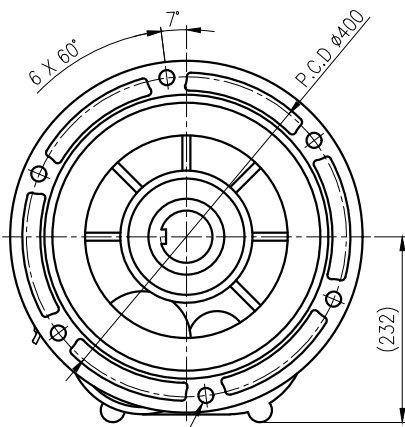


1	2	3	4	5																																																																																													
No.	NAME	MATERIAL	DWG/MATL No.	CODE	Q'TY	SIZE	WEIGHT	REMARK																																																																																									
					0																																																																																												
<div style="display: flex; justify-content: space-around;"> <div style="text-align: center;">  <p><b>INPUT SHAFT</b> KEY 8 x 7 Ø28 E6</p> </div> <div style="text-align: center;">  </div> <div style="text-align: center;">  <p><b>OUTPUT SHAFT</b> KEY 18 x 11 x 54 Ø65 h6</p> </div> </div> <div style="display: flex; justify-content: space-around;"> <div style="text-align: center;">  <p>4 - M12 TAP DP20 (P.C.D : Ø215mm)</p> </div> <div style="text-align: center;">  </div> <div style="text-align: center;">  <p>6-Ø19 HOLE THRU (232)</p> </div> </div> <table border="1" style="width: 100%; border-collapse: collapse;"> <thead> <tr> <th colspan="2"></th> <th colspan="3">BEARING</th> <th colspan="2"></th> </tr> </thead> <tbody> <tr> <td></td> <td></td> <td>INPUT SHAFT</td> <td>6009ZZ</td> <td>6207ZZ</td> <td></td> <td></td> </tr> <tr> <td colspan="2">OIL SEAL</td> <td>2ND PINION</td> <td>6207ZZ</td> <td>6205ZZ</td> <td colspan="2">GREASE : NLGI(EP)00</td> </tr> <tr> <td>INPUT SHAFT</td> <td>D(M) 35 x 47 x 7</td> <td>3RD PINION</td> <td>6207ZZ</td> <td>6309ZZ</td> <td>ABOUT</td> <td>7 kg</td> </tr> <tr> <td>OUTPUT SHAFT</td> <td>D(M) 70 x 95 x 13</td> <td>OUTPUT SHAFT</td> <td>PM5060</td> <td>22214</td> <td>WEIGHT</td> <td>107 kg</td> </tr> </tbody> </table> <table border="1" style="width: 100%; border-collapse: collapse;"> <tr> <td colspan="2"></td> <td colspan="2" style="text-align: center;">외형도 OUTLINE DIMENSION</td> <td colspan="2">DWG NAME</td> </tr> <tr> <td colspan="2"></td> <td colspan="2"></td> <td colspan="2" style="text-align: center;">EKG2D007896</td> </tr> <tr> <td colspan="2"></td> <td colspan="2"></td> <td>UNIT</td> <td>mm</td> </tr> <tr> <td colspan="2"></td> <td colspan="2"></td> <td>SCALE</td> <td>1:1</td> </tr> <tr> <td colspan="2">1 22-06-02 IEC Flange 공용으로 전장 길이 수정 (419-&gt;450.5)</td> <td>DESIGNED</td> <td>CHECKED</td> <td>REVIEWED</td> <td>APPROVED</td> </tr> <tr> <td colspan="2">No. DATE DESCRIPTION of REVISION</td> <td>2022. 06. 02 김학묵</td> <td></td> <td>2022. 06. 02 홍원철</td> <td>2022. 06. 02 정창석</td> </tr> <tr> <td colspan="2">A4(210X297mm) FORM CE-14-0100-444 2013.11.20</td> <td colspan="2" style="text-align: center;"><b>HYOSUNG HEAVY INDUSTRIES</b></td> <td colspan="2">DATE 2019-06-10</td> </tr> <tr> <td colspan="2">TYPE F1VF_23_3.7kW_60:1_IEC FLANGE TYPE</td> <td colspan="2">THIRD ANGLE PROJECTION</td> <td>REVISION No.</td> <td>01</td> </tr> <tr> <td colspan="2"></td> <td>REF. No.</td> <td colspan="3" style="text-align: center;">-</td> </tr> </table>											BEARING							INPUT SHAFT	6009ZZ	6207ZZ			OIL SEAL		2ND PINION	6207ZZ	6205ZZ	GREASE : NLGI(EP)00		INPUT SHAFT	D(M) 35 x 47 x 7	3RD PINION	6207ZZ	6309ZZ	ABOUT	7 kg	OUTPUT SHAFT	D(M) 70 x 95 x 13	OUTPUT SHAFT	PM5060	22214	WEIGHT	107 kg			외형도 OUTLINE DIMENSION		DWG NAME						EKG2D007896						UNIT	mm					SCALE	1:1	1 22-06-02 IEC Flange 공용으로 전장 길이 수정 (419->450.5)		DESIGNED	CHECKED	REVIEWED	APPROVED	No. DATE DESCRIPTION of REVISION		2022. 06. 02 김학묵		2022. 06. 02 홍원철	2022. 06. 02 정창석	A4(210X297mm) FORM CE-14-0100-444 2013.11.20		<b>HYOSUNG HEAVY INDUSTRIES</b>		DATE 2019-06-10		TYPE F1VF_23_3.7kW_60:1_IEC FLANGE TYPE		THIRD ANGLE PROJECTION		REVISION No.	01			REF. No.	-		
		BEARING																																																																																															
		INPUT SHAFT	6009ZZ	6207ZZ																																																																																													
OIL SEAL		2ND PINION	6207ZZ	6205ZZ	GREASE : NLGI(EP)00																																																																																												
INPUT SHAFT	D(M) 35 x 47 x 7	3RD PINION	6207ZZ	6309ZZ	ABOUT	7 kg																																																																																											
OUTPUT SHAFT	D(M) 70 x 95 x 13	OUTPUT SHAFT	PM5060	22214	WEIGHT	107 kg																																																																																											
		외형도 OUTLINE DIMENSION		DWG NAME																																																																																													
				EKG2D007896																																																																																													
				UNIT	mm																																																																																												
				SCALE	1:1																																																																																												
1 22-06-02 IEC Flange 공용으로 전장 길이 수정 (419->450.5)		DESIGNED	CHECKED	REVIEWED	APPROVED																																																																																												
No. DATE DESCRIPTION of REVISION		2022. 06. 02 김학묵		2022. 06. 02 홍원철	2022. 06. 02 정창석																																																																																												
A4(210X297mm) FORM CE-14-0100-444 2013.11.20		<b>HYOSUNG HEAVY INDUSTRIES</b>		DATE 2019-06-10																																																																																													
TYPE F1VF_23_3.7kW_60:1_IEC FLANGE TYPE		THIRD ANGLE PROJECTION		REVISION No.	01																																																																																												
		REF. No.	-																																																																																														
<p style="text-align: center;">이 도면상에 표시된 정보는 호성중공업(주)의 소유이며 당사의 사전 서면동의 없이 무단사용을 금합니다.</p>																																																																																																	