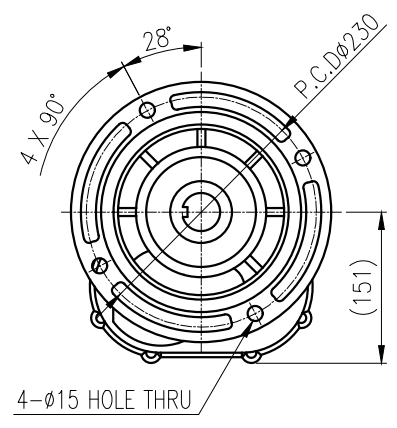
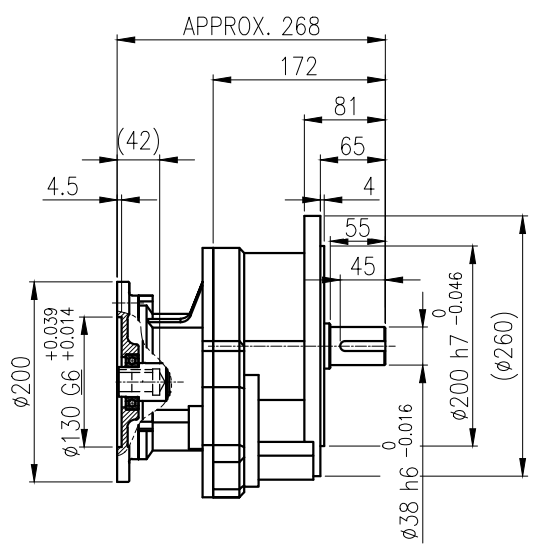
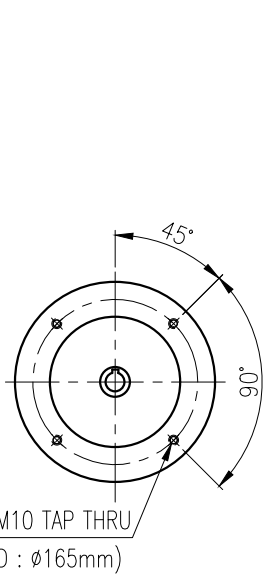
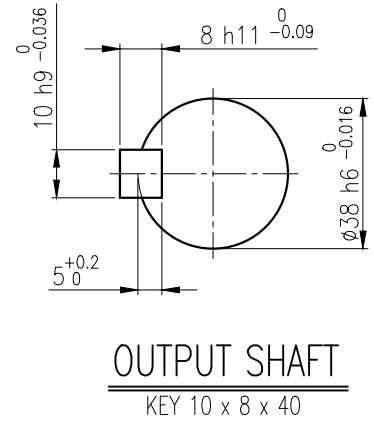
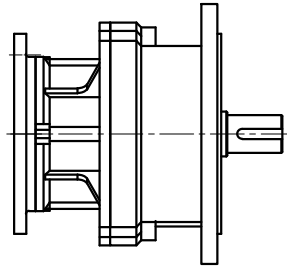
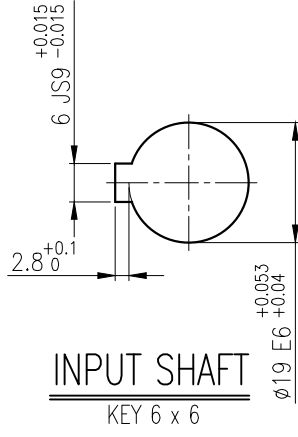


1	2	3	4	5				
No.	NAME	MATERIAL	DWG/MATL No.	CODE	Q'TY	SIZE	WEIGHT	REMARK
					0			



		BEARING			
		INPUT SHAFT	6006ZZ	6204ZZ	
OIL SEAL		2ND PINION	6203ZZ	6202ZZ	GREASE : NLGI(EP)00
INPUT SHAFT	D(M) 20 x 32 x 8	3RD PINION	6204ZZ	6304ZZ	ABOUT 1.7 kg
OUTPUT SHAFT	D(M) 45 x 62 x 12	OUTPUT SHAFT	PM3030	6309ZZ	WEIGHT 30 Kg

DWG NAME		외형도 OUTKUNE DIMENSION			
DWG No.		EK2D007888		UNIT	mm
				SCALE	1:1
No.	DATE	DESIGNED	CHECKED	REVIEWED	APPROVED
1	22-06-02	2022. 06. 02		2022. 06. 02	2022. 06. 02
DESCRIPTION of REVISION		김학묵		홍원철 정창석	
				DATE	2019-06-10
				REVISION No.	01
				THIRD ANGLE PROJECTION	
TYPE		F1VF_15_0.75kW_40~120:1_IEC FLANGE TYPE		REF. No.	-

A4(210x297mm)
FORM
CE-14-0100-444
2013.11.20



(A)

이 도면상에 표시된 정보는 호성중공업(주)의 소유이며 당사의 사전 서면동의 없이 무단사용을 금합니다.