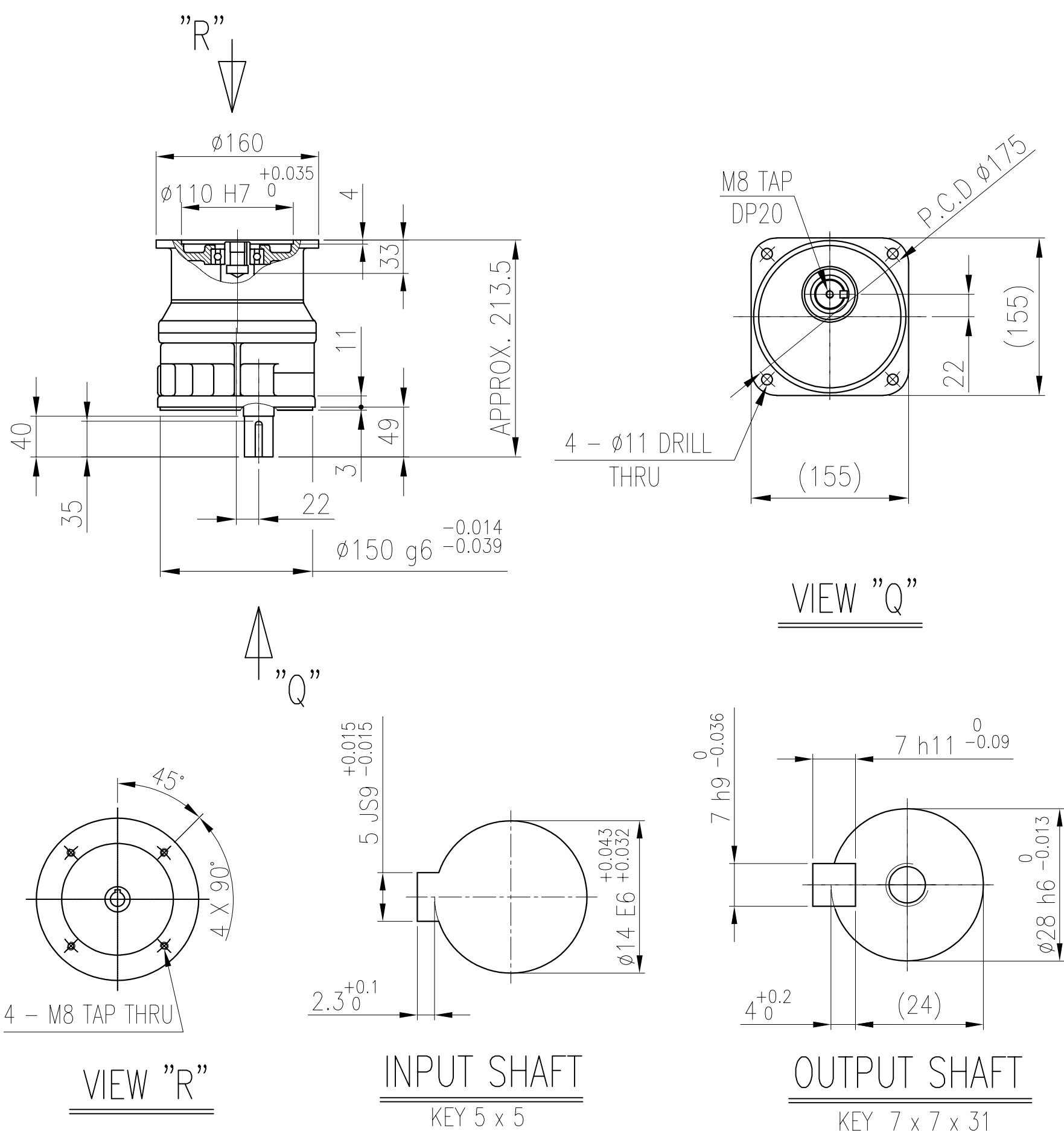


No.	NAME	MATERIAL	DWG/MATL No.	CODE	Q'TY	SIZE	WEIGHT	REMARK
					0			



OIL SEAL		BEARING		
INPUT SHAFT	D(M) 15 x 30 x 7	INPUT SHAFT	6205ZZ 6203ZZ	
OUTPUT SHAFT	D(M) 30 x 42 x 8	2ND PINION	6200ZZ 6200ZZ	GREASE : NLGI(EP)00
		3RD PINION	(6200ZZ)(6301ZZ)	ABOUT 0.2 kg
		OUTPUT SHAFT	6006ZZ MP - 2	WEIGHT 7.5 kg

FORM		DWG NAME		외형도		OUTLINE DIMENSION	
A4(210X297mm)		FORM		E6		UNIT	
CE-14-0100-4A4		DWG No.		E6		mm	
2013.11.20		E6		E6		SCALE	
2013.11.20		E6		E6		1:1	
No.	DATE	DESCRIPTION of REVISION	DESIGNED	CHECKED	REVIEWED	APPROVED	DATE
			2019.06.13	2019.06.13	2019.06.13	2019.06.13	2019-06-13
HYOSUNG HEAVY INDUSTRIES		김민정		문병선		박희성	
TYPE		F1VF_10_0.4kW_5~100:1_IEC FLANGE TYPE		홍원철		REVISION No.	
						01	
						THIRD ANGLE PROJECTION	
						REF. No.	
						(A)	

이 도면에 표시된 정보는 호성중공업(주)의 소유이며 당사의 사전 서면동의 없이 무단사용을 금합니다.