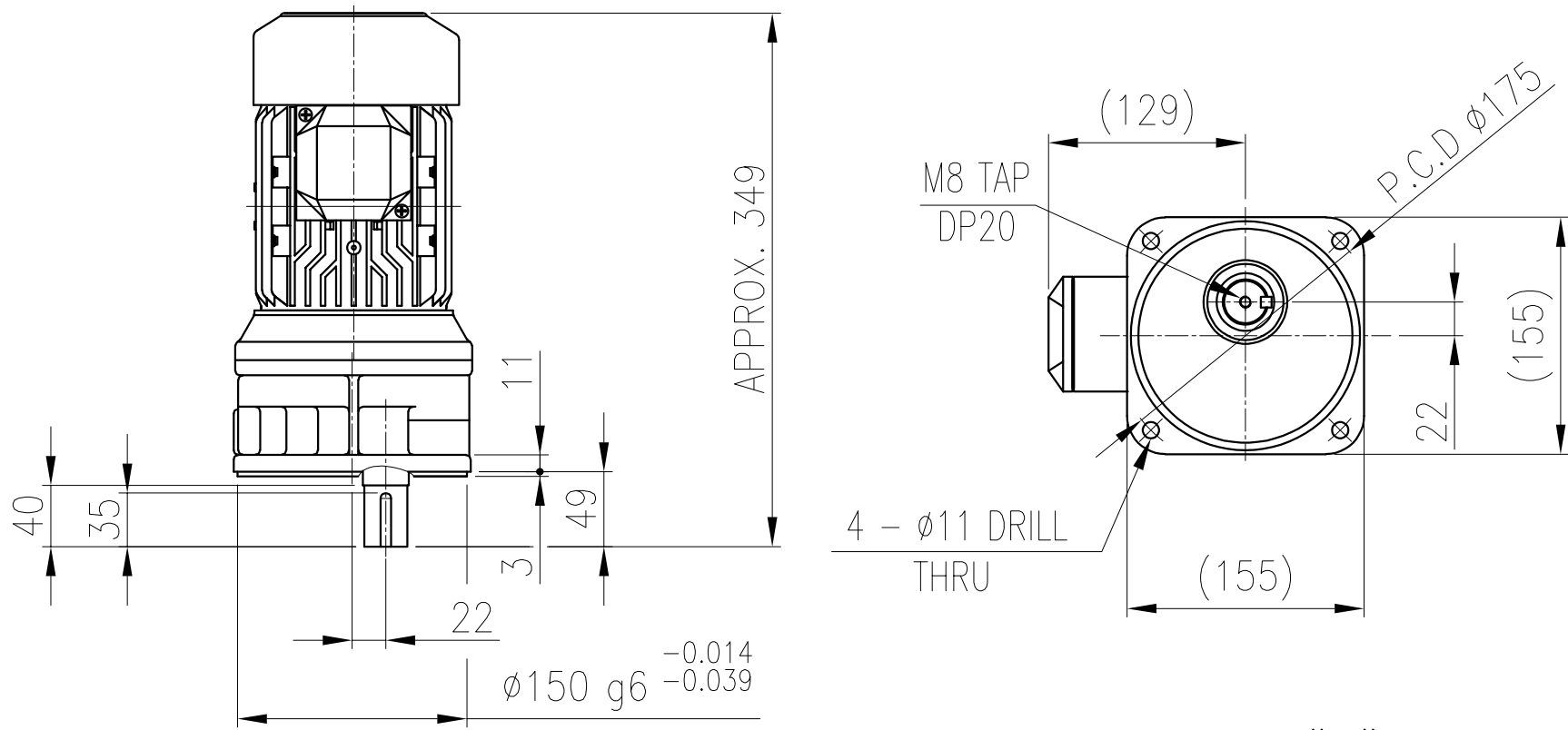
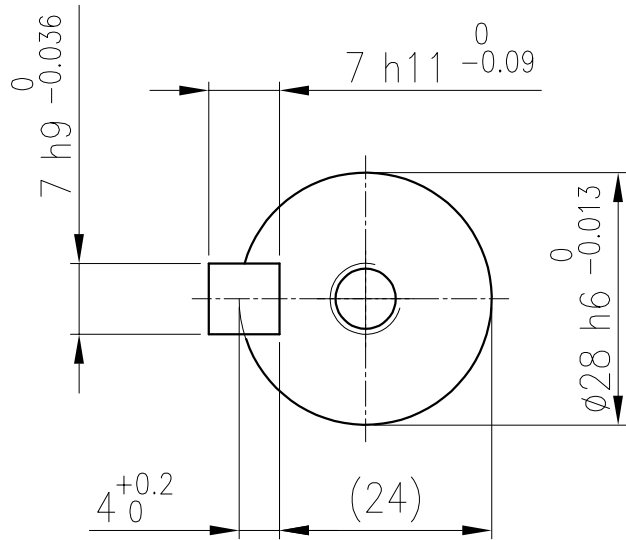
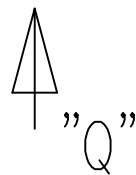


No.	NAME	MATERIAL	DWG/MATL No.	CODE	Q'TY	SIZE	WEIGHT	REMARK
					0			



VIEW "Q"



OUTPUT SHAFT

KEY 7 x 7 x 31

		BEARING			
		INPUT SHAFT	6202ZZ	6203ZZ	
OIL SEAL		2ND PINION	6200ZZ	6200ZZ	GREASE : NLGI(EP)00
MOTOR SHAFT	D(M) 15 x 30 x 7	3RD PINION	(6200ZZ)	(6301ZZ)	ABOUT 0.2 kg
OUTPUT SHAFT	D(M) 30 x 42 x 8	OUTPUT SHAFT	6006ZZ	MP - 2	WEIGHT 11 kg

DWG NAME		외형도 OUTLINE DIMENSION			
DWG No.		EK2D007864H0001		UNIT	mm
				SCALE	1:1
No.	DATE	DESIGNED	CHECKED	REVIEWED	APPROVED
		2019.06.13	2019.06.13	2019.06.13	2019.06.13
		김민정	문병선	박희성	홍원철
		DATE		2019-06-05	
		REVISION No.		01	
		THIRD ANGLE PROJECTION			
REF. No.					

FORM		A4(210X297mm)	
CE-14-0100-4A4		2013.11.20	
TYPE		F1VM_10_0.4kW_5~100:1	
DESCRIPTION of REVISION			

이 도면에 표시된 정보는 표정중립(중)의 소유이며 당사의 사전 서면동의 없이 무단사용을 금합니다.