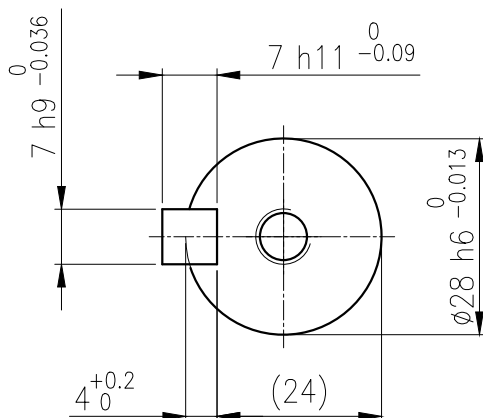
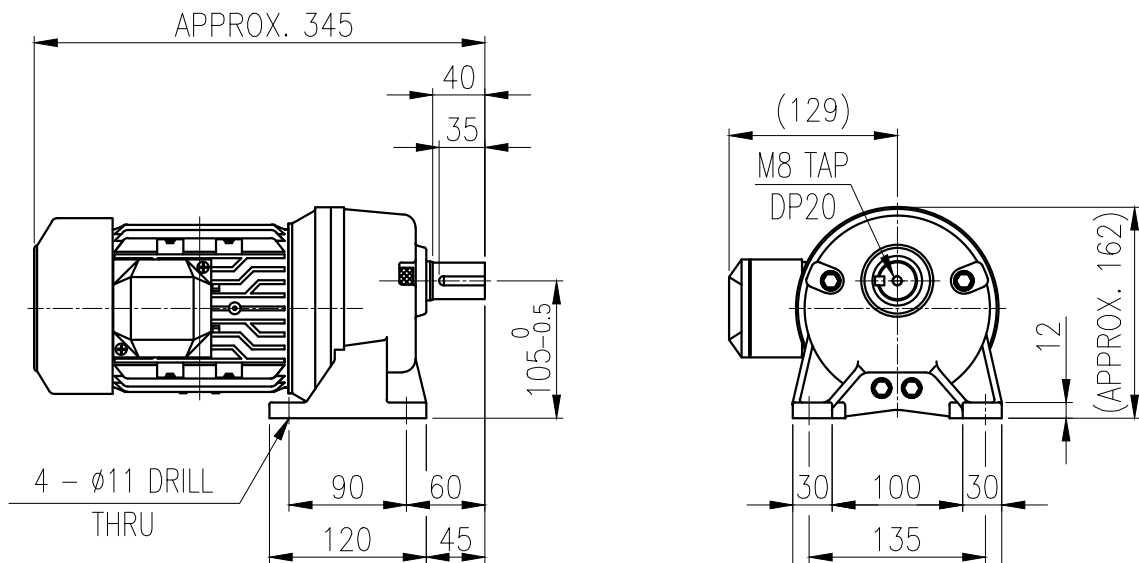


	1	2	3	4	5
No.	NAME	MATERIAL	DWG/MATL No.	CODE	Q'TY
					0
				SIZE	WEIGHT
					REMARK



OUTPUT SHAFT

KEY 7 x 7 x 31

		BEARING		
		INPUT SHAFT	6202ZZ 6203ZZ	
OIL SEAL		2ND PINION	6200ZZ 6200ZZ	GREASE : NLGI(EP)00
MOTOR SHAFT	D(M) 15 x 30 x 7	3RD PINION	(6200ZZ) (6301ZZ)	ABOUT 0.2 kg
OUTPUT SHAFT	D(M) 30 x 42 x 8	OUTPUT SHAFT	6006ZZ MP - 2	WEIGHT 11 kg

		DWG NAME				외형도	
						OUTLINE DIMENSION	
		DWG No.				UNIT	mm
		EYK2D007852H0001				SCALE	1:1
No.	DATE	DESCRIPTION of REVISION				DESIGNED	2019-06-13
						CHECKED	2019-06-13
						REVIEWED	2019-06-13
						APPROVED	2019-06-13
A4(210x297mm)						DATE	2019-06-13
FORM CE-14-0100-4A4 2013.11.20						REVISION No.	01
TYPE		F1HM_10_0.4kW_5~100:1				THIRD ANGLE PROJECTION	
		REF. No.					

이 도면상에 표시된 정보는 표상중공업(주)의 소유이며 영사의 사전 서면동의 없이 무단사용을 금합니다.