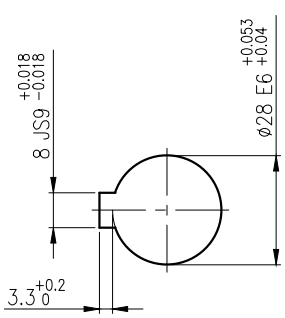
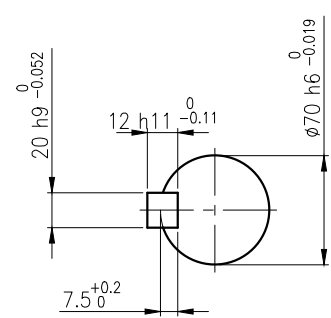
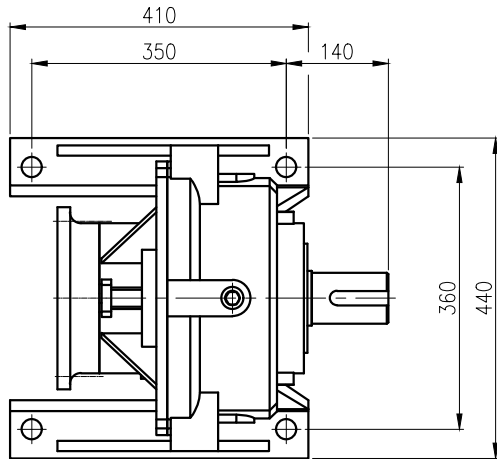


No.	NAME	MATERIAL	DWG/MATL No.	CODE	Q'TY	SIZE	WEIGHT	REMARK
					0			



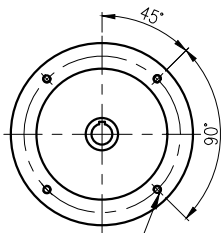
INPUT SHAFT

KEY 8 x 7

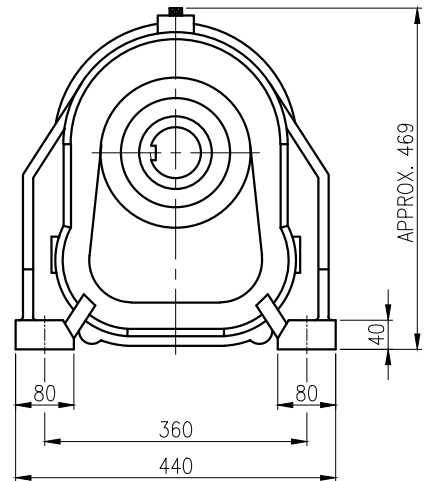
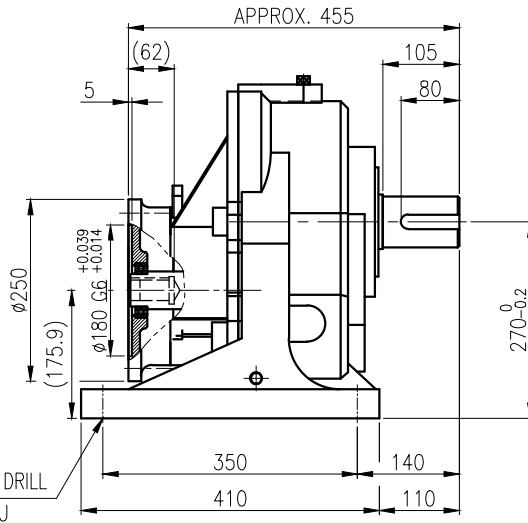


OUTPUT SHAFT

KEY 20 x 12 x 70



4 - M12 TAP DP20
(P.C.D. : ϕ 215mm)



		BEARING			
		INPUT SHAFT	6009ZZ	6207ZZ	
OIL SEAL		2ND PINION	6306ZZ	6306ZZ	GREASE : NLGI(EP)00
INPUT SHAFT	D(M) 35 x 47 x 7	3RD PINION	6307ZZ	6308ZZ	ABOUT 3.0 kg
OUTPUT SHAFT	D(M) 75 x 100 x 13	OUTPUT SHAFT	6311ZZ	21315	WEIGHT 144 kg

			외형도 OUTLINE DIMENSION	
			DWG NAME	
			DWG No.	EK2D007814
			UNIT	mm
			SCALE	1:1
1	22-06-02	IEC Flange 공용으로 전장 길이 수정 (423.5->455)	DESIGNED	2019-06-03
No.	DATE	DESCRIPTION of REVISION	CHECKED	
			DESIGNED	2022. 06. 02
			CHECKED	2022. 06. 02
TYPE F1HF_27_3.7kW_75~120:1_IEC FLANGE TYPE			REVIEWED	2022. 06. 02
			APPROVED	2022. 06. 02
			DATE	2019-06-03
			REVISION No.	01
			THIRD ANGLE PROJECTION	
			REF. No.	
				(A)

이 도면상에 표시된 정보는 호성중공업(주)의 소유이며 당사의 사전 서면동의 없이 무단사용을 금합니다.