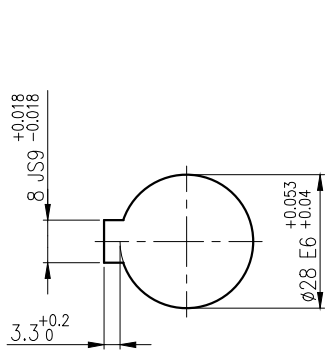
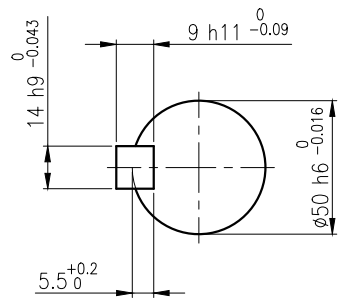
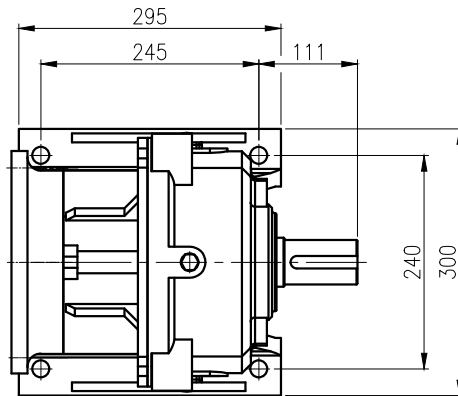


1	2	3	4	5				
No.	NAME	MATERIAL	DWG/MATL No.	CODE	Q'TY	SIZE	WEIGHT	REMARK
					0			



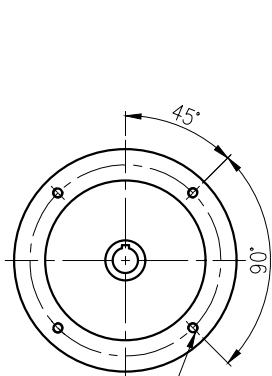
**INPUT SHAFT**

KEY 8 x 7

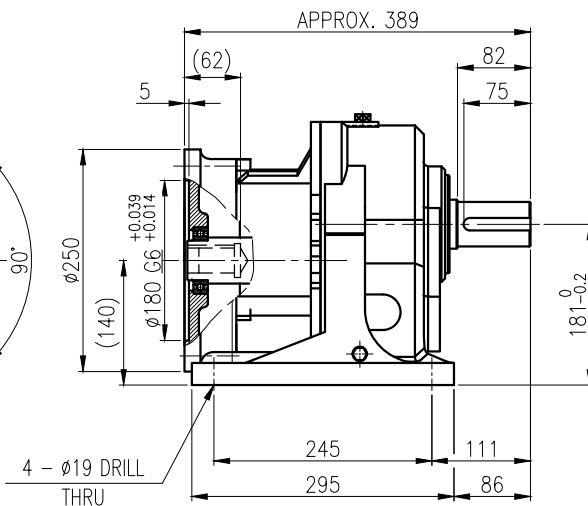


**OUTPUT SHAFT**

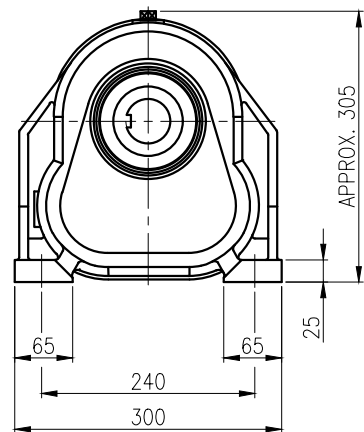
KEY 14 x 9 x 68



4 - M12 TAP DP20  
(P.C.D :  $\phi 215\text{mm}$ )



4 -  $\phi 19$  DRILL  
THRU



			BEARING		
			INPUT SHAFT	6009ZZ 6207ZZ	
			2ND PINION	6206ZZ 6307ZZ	GREASE : NLGI(EP)00
			3RD PINION	- -	ABOUT 1.2 kg
			OUTPUT SHAFT	PM3530 22211	WEIGHT 57 kg
			OIL SEAL		
			INPUT SHAFT	D(M) 35 x 47 x 7	
			OUTPUT SHAFT	D(M) 55 x 78 x 12	

		DWG NAME		외형도 OUTLINE DIMENSION				
		DWG No.		EK2D007807		UNIT	mm	
						SCALE	1:1	
1		22-06-02	IEC Flange 공용으로 전장 길이 수정 (357.5-→389)					
No.		DATE	DESCRIPTION of REVISION					
A4(210X297mm)		FORM						
		CE-14-0100-4A4 2013.11.20						
		TYPE	F1HF_18_3.7KW_25~30:1_IEC FLANGE TYPE					
		DESIGNED	CHECKED	REVIEWED	APPROVED	DATE	2019-06-03	
		2022. 06. 02		2022. 06. 02	2022. 06. 02	REVISION No.	01	
		김학묵		홍원철	정창석	THIRD ANGLE PROJECTION		
		REF. No.	-					
							A	