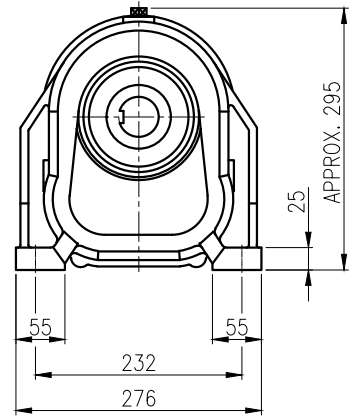
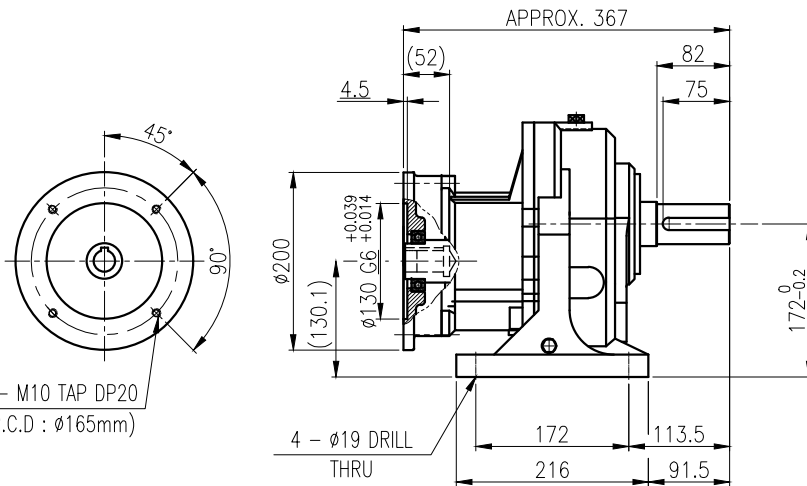
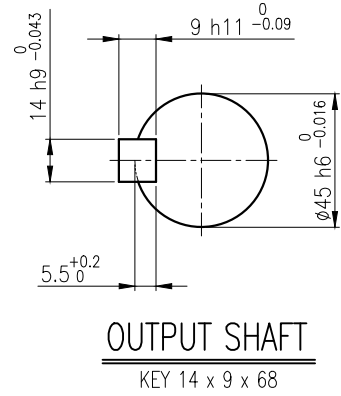
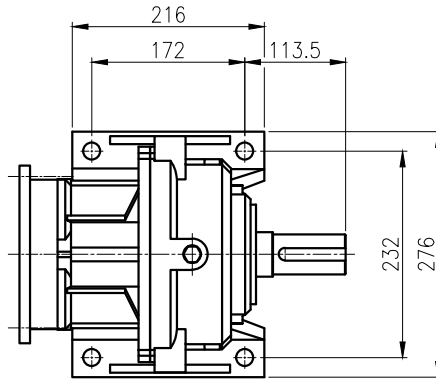
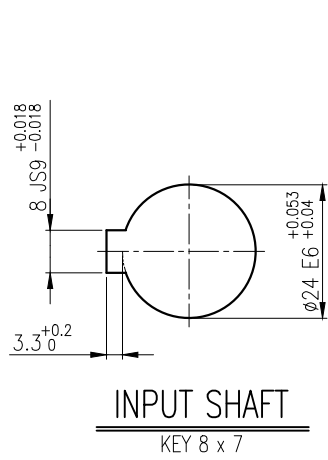


No.	NAME	MATERIAL	DWG/MATL No.	CODE	Q'TY	SIZE	WEIGHT	REMARK
					0			



		BEARING			
		INPUT SHAFT	6008ZZ	6205ZZ	
		2ND PINION	6204ZZ	6203ZZ	GREASE : NLGI(EP)00
		3RD PINION	6205ZZ	6305ZZ	ABOUT 0.9 kg
		OUTPUT SHAFT	PM3530	6310ZZ	WEIGHT 43 Kg

			외형도 OUTLINE DIMENSION	
			DWG No.	EK2D007806
			UNIT	mm
			SCALE	1:1
No.	DATE	DESCRIPTION of REVISION	DESIGNED	CHECKED
1	22-06-02	IEC Flange 공용으로 전장 길이 수정 (345->367)	2022. 06. 02	2022. 06. 02
			APPROVED	DATE
			2022. 06. 02	2022. 06. 02
			DESIGNED	2022. 06. 02
			김학묵	홍원철
			CHECKED	정창석
			REF. No.	-
			DATE	2019-06-03
			REVISION No.	01
			THIRD ANGLE PROJECTION	
			A	