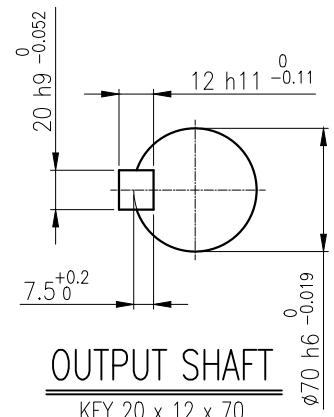
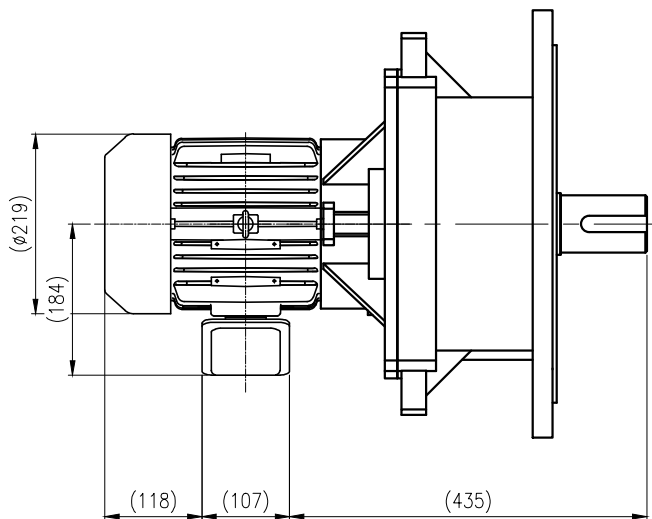


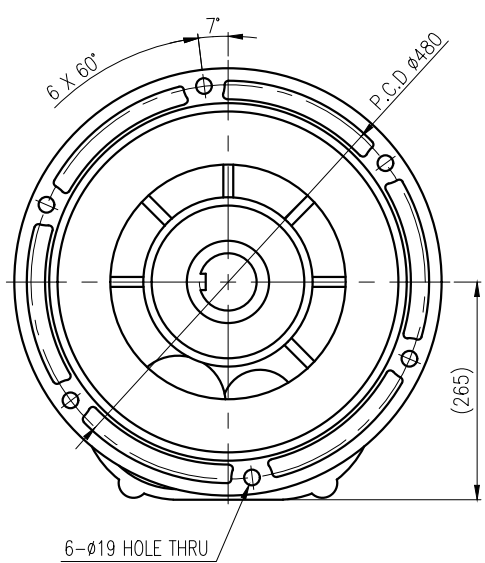
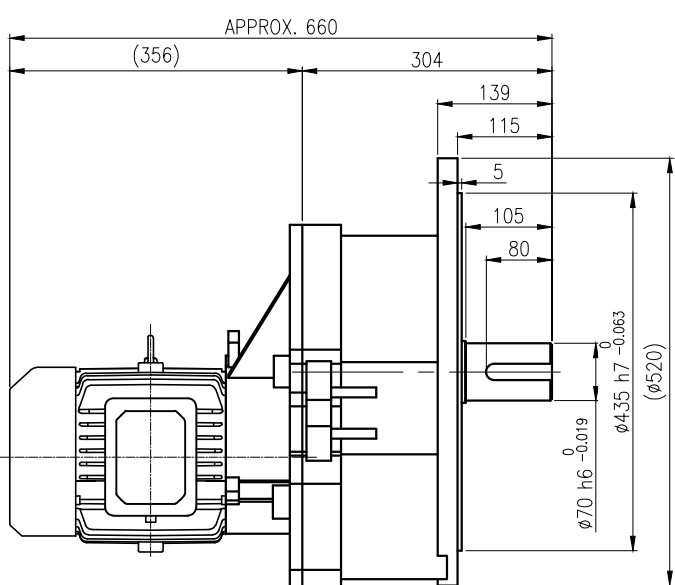
1	2	3	4	5				
No.	NAME	MATERIAL	DWG/MATL No.	CODE	Q'TY	SIZE	WEIGHT	REMARK
					0			

A



B

C



D

E

		BEARING			
		INPUT SHAFT	6205ZZ	6207ZZ	
OIL SEAL		2ND PINION	6305ZZ	6306ZZ	GREASE : NLGI(EP)00
MOTOR SHAFT	D(M) 35 x 47 x 7	3RD PINION	6307ZZ	6308ZZ	ABOUT 8.9 kg
OUTPUT SHAFT	D(M) 75 x 100 x 13	OUTPUT SHAFT	6311ZZ	21315	WEIGHT 174 kg

F

		DWG NAME		외형도 OUTLINE DIMENSION	
		DWG No.		E K2D007785H0001	
		UNIT		mm	
		SCALE		1:1	
No.	DATE	DESIGNED	CHECKED	REVIEWED	APPROVED
		2019.05.30	2019.05.30	2019.05.30	2019.05.30
		김민정	문병선	박희성	최성민
DESCRIPTION of REVISION		DATE	2019-05-30		
		REVISION No.	01		
		THIRD ANGLE PROJECTION			
TYPE		F1VM_27_2.2kW_100~120:1_프리미엄		REF. No.	-
A4(210X297mm)		FORM		A	
CE-14-0100-444		2013.11.20			
HYOSUNG HEAVY INDUSTRIES					

이 도면상에 표시된 정보는 최종공급(주)의 소유이며 당사의 사전 서면동의 없이 무단사용을 금합니다.