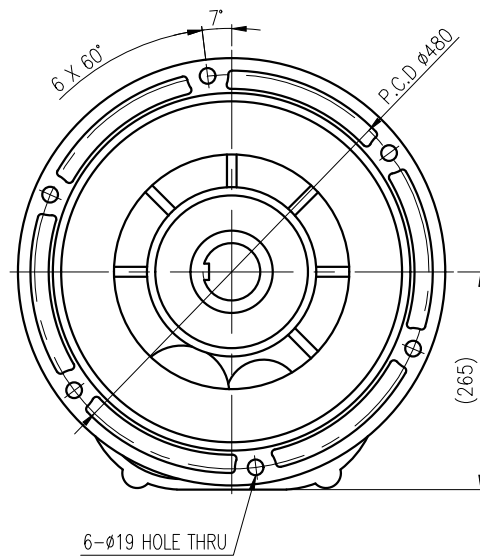
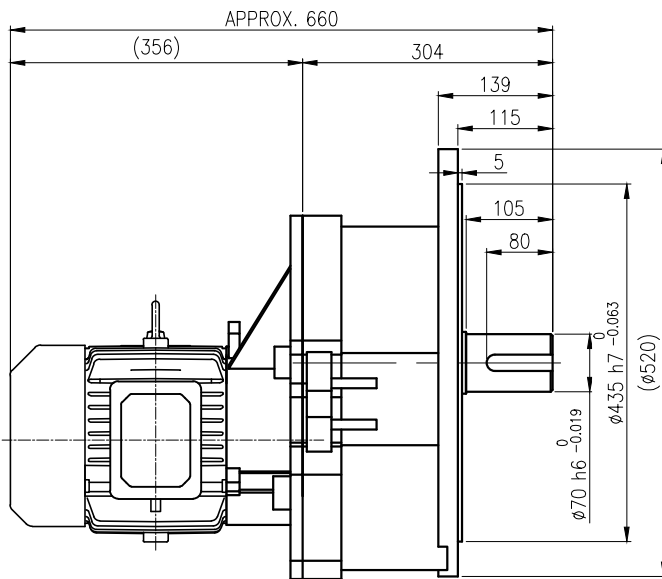
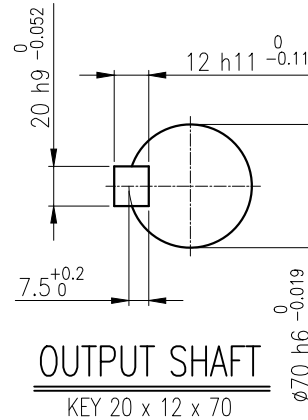
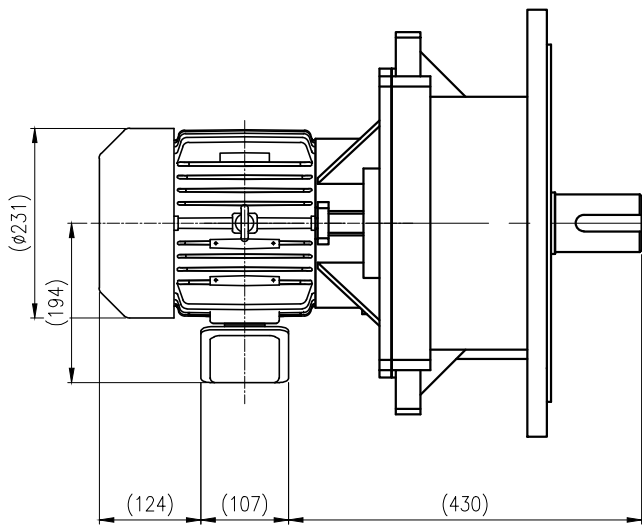


1	2	3	4	5				
No.	NAME	MATERIAL	DWG/MATL No.	CODE	Q'TY	SIZE	WEIGHT	REMARK
					0			



		BEARING		
		INPUT SHAFT	6206ZZ 6207ZZ	
OIL SEAL		2ND PINION	6306ZZ 6306ZZ	GREASE : NLGI(EP)00
MOTOR SHAFT	D(M) 35 x 47 x 7	3RD PINION	6307ZZ 6308ZZ	ABOUT 8.9 kg
OUTPUT SHAFT	D(M) 75 x 100 x 13	OUTPUT SHAFT	6311ZZ 21315	WEIGHT 179 kg

DWG NAME		외형도 OUTLINE DIMENSION			
DWG No.		EK2DO07784H0001		UNIT	mm
				SCALE	1:1
No.	DATE	DESIGNED	CHECKED	REVIEWED	APPROVED
		2019.05.30	2019.05.30	2019.05.30	2019.05.30
		김민정	문병선	박희성	최성민
DESCRIPTION of REVISION		DATE	2019-05-30		
		REVISION No.	01		
		THIRD ANGLE PROJECTION			
TYPE		REF. No.	-		
F1VM_27_3.7kW_75~120:1_프리미엄					

A4(210X297mm)
 FORM
 CE-14-0100-444
 2013.11.20
HYOSUNG HEAVY INDUSTRIES
 TYPE F1VM_27_3.7kW_75~120:1_프리미엄

이 도면상에 표시된 정보는 최종공정(주)의 소유이며 당사의 사전 서면동의 없이 무단사용을 금합니다.