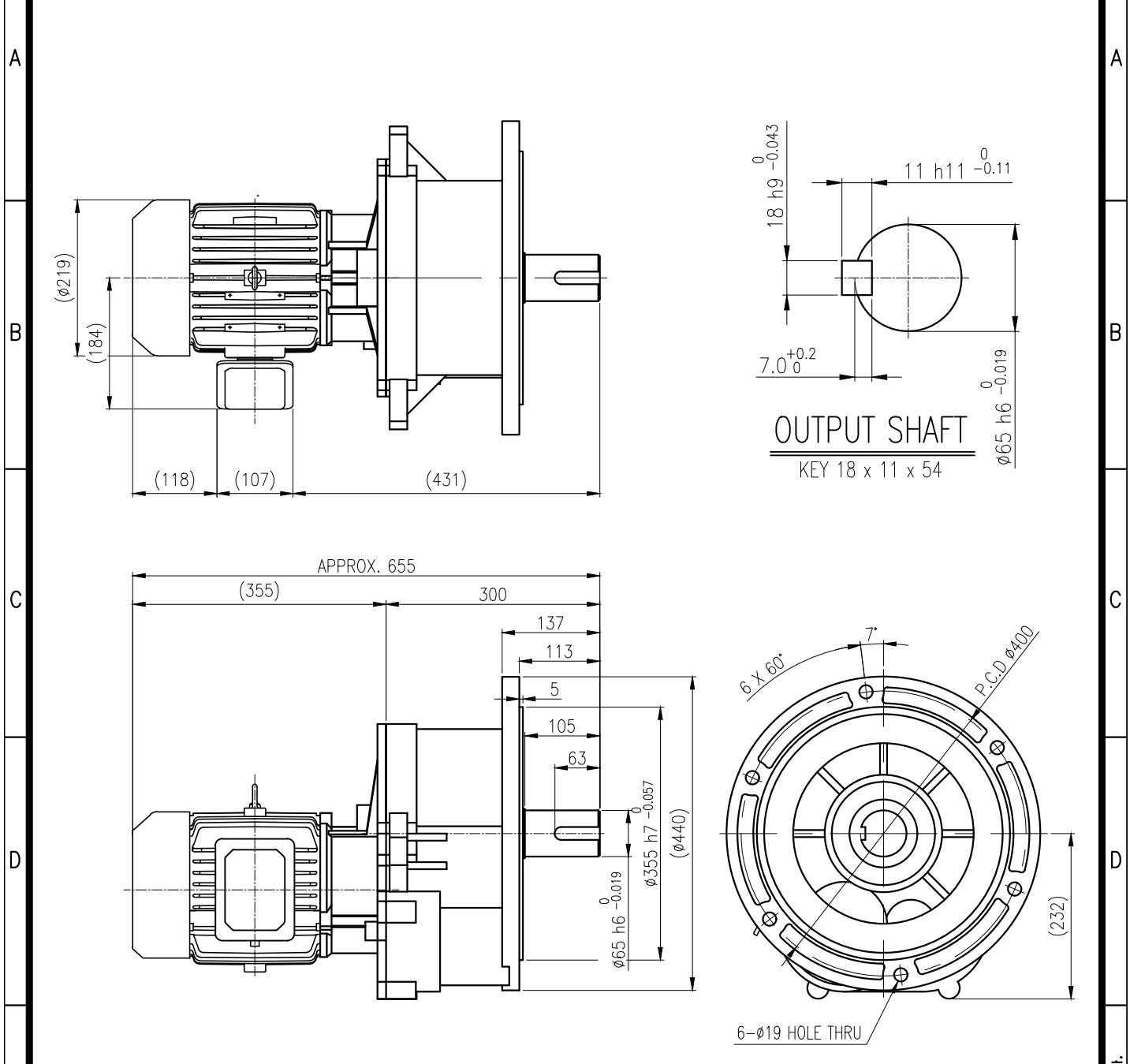


1	2	3	4	5
No.	NAME	MATERIAL	DWG/MATL No.	CODE Q'TY
				0



		BEARING			
		INPUT SHAFT	6205ZZ	6207ZZ	
OIL SEAL		2ND PINION	6205ZZ	6205ZZ	GREASE : NLGI(EP)00
MOTOR SHAFT	D(M) 35 x 47 x 7	3RD PINION	6207ZZ	6309ZZ	ABOUT 7.0 kg
OUTPUT SHAFT	D(M) 70 x 95 x 13	OUTPUT SHAFT	PM5060	22214	WEIGHT 138 kg

		DWG NAME		외형도 OUTLINE DIMENSION	
		DWG No.		E K 2 D O 0 7 7 8 2 H 0 0 0 1	
		UNIT		mm	
		SCALE		1:1	
No.	DATE	DESIGNED	CHECKED	REVIEWED	APPROVED
		2019.05.30	2019.05.30	2019.05.30	2019.05.30
		김민정	문병선	박희성	최성민
DESCRIPTION of REVISION		DATE		2019-05-30	
		REVISION No.		01	
		THIRD ANGLE PROJECTION			
TYPE		REF. No.		-	
F1VM_23_2.2kW_75~90:1_프리미엄					