

	1	2	3	4	5
No.	NAME	MATERIAL	DWG/MATL No.	CODE Q'TY	SIZE WEIGHT REMARK
				0	

A A

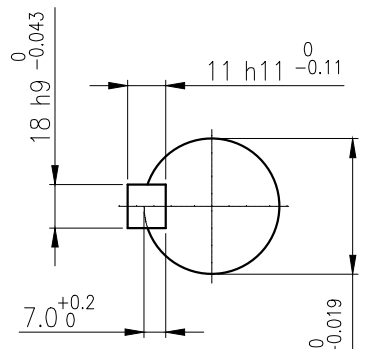
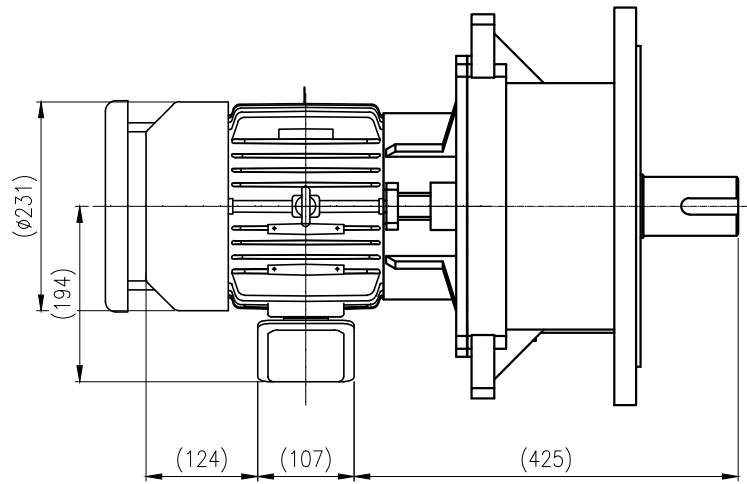
B B

C C

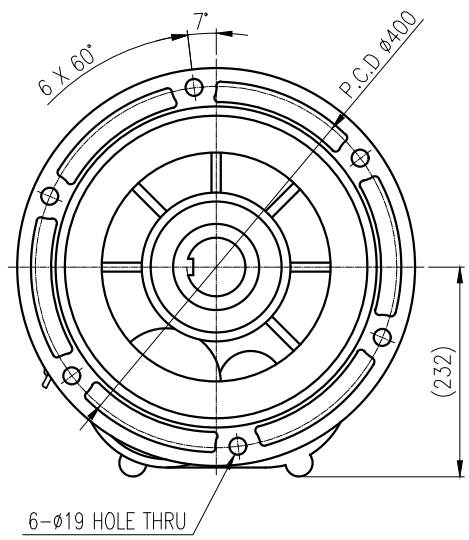
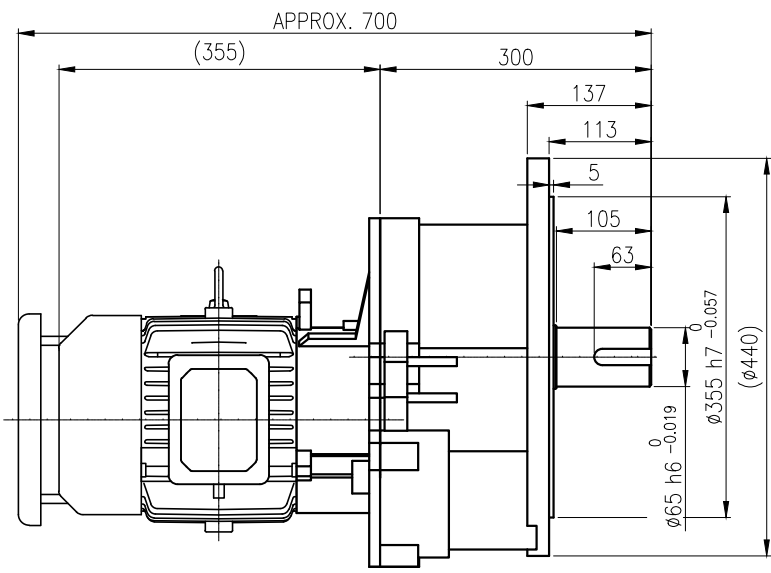
D D

E E

F F



**OUTPUT SHAFT**  
KEY 18 x 11 x 54



		BEARING			
		INPUT SHAFT	6206ZZ	6207ZZ	
OIL SEAL		2ND PINION	6207ZZ	6205ZZ	GREASE : NLGI(EP)00
MOTOR SHAFT	D(M) 35 x 47 x 7	3RD PINION	6207ZZ	6309ZZ	ABOUT 7.0 kg
OUTPUT SHAFT	D(M) 70 x 95 x 13	OUTPUT SHAFT	PM5060	22214	WEIGHT 142 kg

		DWG NAME 외형도 OUTLINE DIMENSION			
		DWG No. <b>EK2DO07781W0001</b>		UNIT mm	
				SCALE 1:1	
No.	DATE	DESIGNED	CHECKED	REVIEWED	APPROVED
		2019.05.30	2019.05.30	2019.05.30	2019.05.30
		김민정	문병선	박희성	최성민
DESCRIPTION of REVISION		DATE	2019-05-30		
		REVISION No.	01		
		THIRD ANGLE PROJECTION			
TYPE F1VM_23_3.7kW_60:1_프리미엄		REF. No.	-		



A4(210X297mm)  
FORM  
CE-14-0100-444  
2013.11.20

(A)

이 도면상에 표시된 정보는 호성중공업(주)의 소유이며 당사의 사전 서면동의 없이 무단사용을 금합니다.