

1	2	3	4	5				
No.	NAME	MATERIAL	DWG/MATL No.	CODE	Q'TY	SIZE	WEIGHT	REMARK
					0			

A A

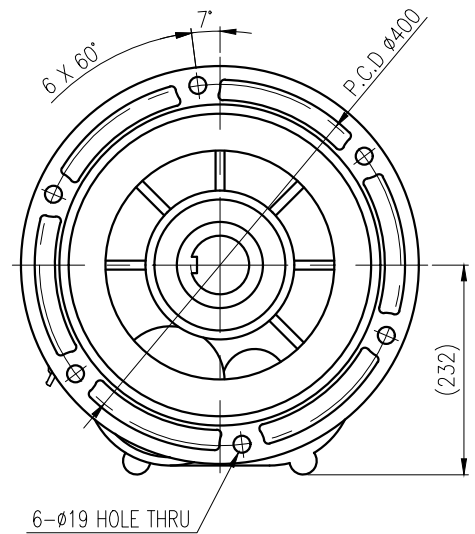
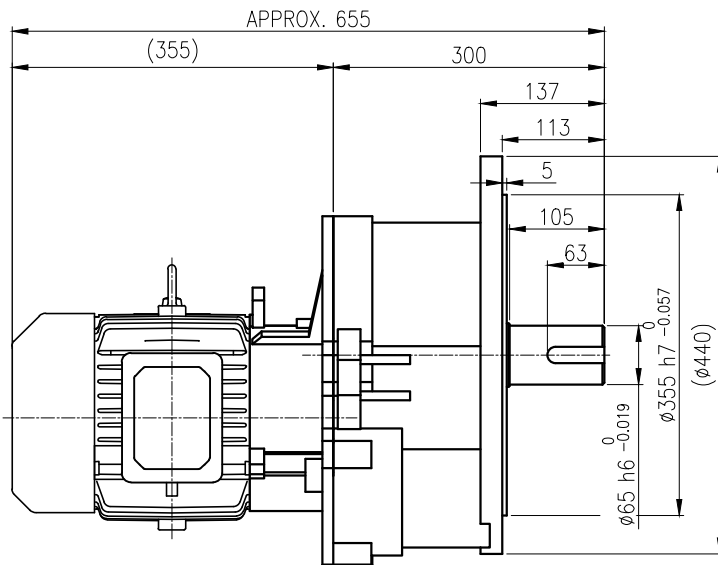
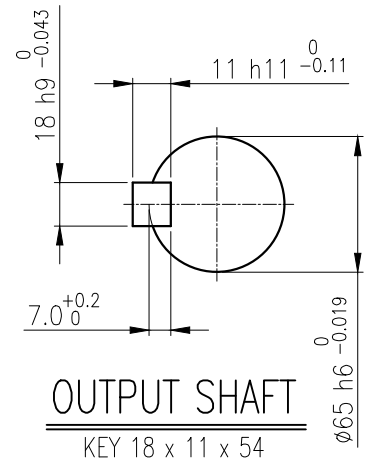
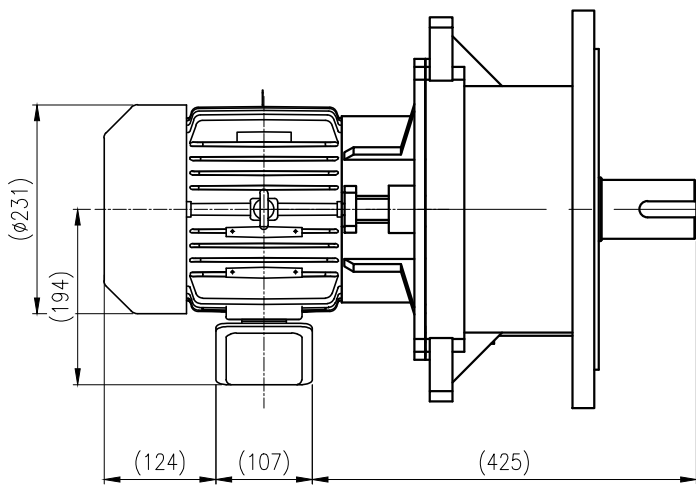
B B

C C

D D

E E

F F



		BEARING		
		INPUT SHAFT	6206ZZ 6207ZZ	
OIL SEAL		2ND PINION	6207ZZ 6205ZZ	GREASE : NLGI(EP)00
MOTOR SHAFT	D(M) 35 x 47 x 7	3RD PINION	6207ZZ 6309ZZ	ABOUT 7.0 kg
OUTPUT SHAFT	D(M) 70 x 95 x 13	OUTPUT SHAFT	PM5060 22214	WEIGHT 142 kg

DWG NAME		외형도 OUTLINE DIMENSION			
DWG No.		EK2DO07781H0001		UNIT	mm
				SCALE	1:1
No.	DATE	DESIGNED	CHECKED	REVIEWED	APPROVED
		2019.05.30	2019.05.30	2019.05.30	2019.05.30
		김민정	문병선	박희성	최성민
DESCRIPTION of REVISION		DATE	2019-05-30		REVISION No.
					01
TYPE		F1VM_23_3.7kW_60:1_프리미엄		THIRD ANGLE PROJECTION	
REF. No.		-		A	



A4(210X297mm)  
FORM  
CE-14-0100-444  
2013.11.20

이 도면상에 표시된 정보는 호성중공업(주)의 소유이며 당사의 사전 서면동의 없이 무단사용을 금합니다.