

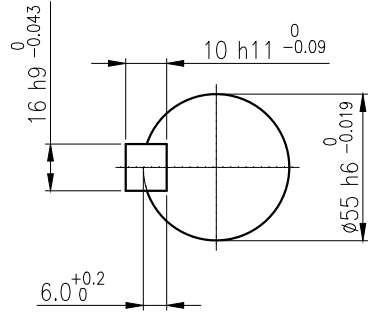
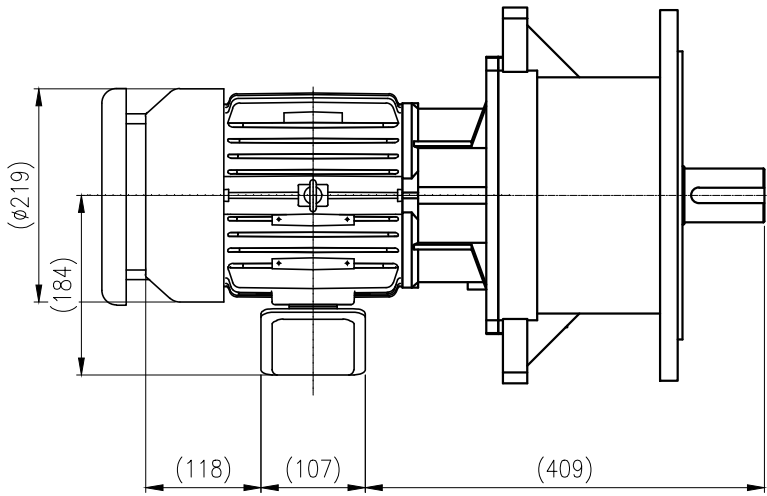
	1	2	3	4	5
No.	NAME	MATERIAL	DWG/MATL No.	CODE	Q'TY
					0
				SIZE	WEIGHT
					REMARK

A

A

B

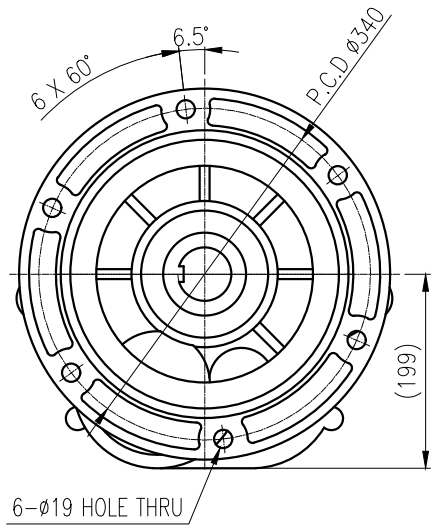
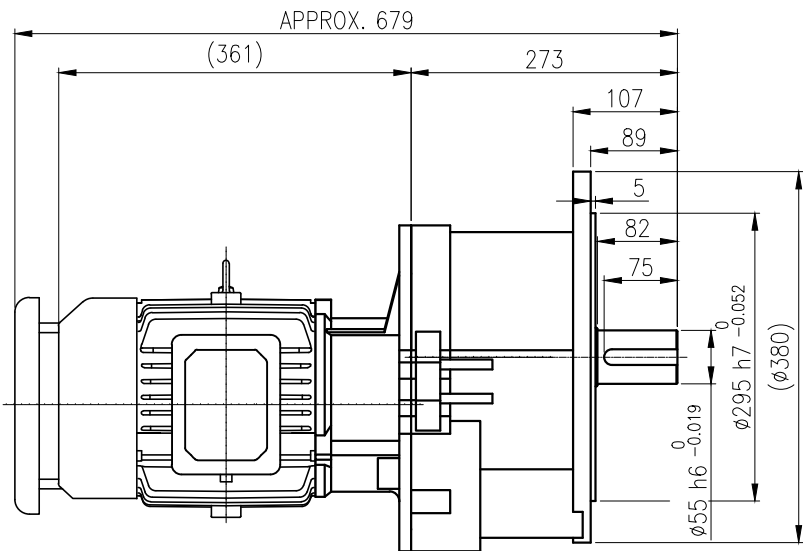
B



**OUTPUT SHAFT**  
KEY 16 x 10 x 67

C

C



D

D

E

			BEARING		
			INPUT SHAFT	6205ZZ 6207ZZ	
			2ND PINION	6205ZZ 6204ZZ	GREASE : NLGI(EP)00
MOTOR SHAFT	D(M) 35 x 47 x 7		3RD PINION	6208ZZ 6308ZZ	ABOUT 4.1 kg
OUTPUT SHAFT	D(M) 60 x 85 x 12	OUTPUT SHAFT	PM4530 22212		WEIGHT 112 kg

F

		DWG NAME		외형도 OUTLINE DIMENSION			
		DWG No.		<b>EK2DO07780W0001</b>		UNIT	mm
						SCALE	1:1
No.	DATE	DESCRIPTION of REVISION		DESIGNED	CHECKED	REVIEWED	APPROVED
				2019.05.30	2019.05.30	2019.05.30	2019.05.30
				김민정	문병선	박희성	홍원철
				REVISION No.		01	
				THIRD ANGLE PROJECTION			
		TYPE		REF. No.		-	
		F1VM_20_2.2kW_60~120:1_프리미엄					



A4(210x297mm)  
FORM  
CE-14-0100-444  
2013.11.20

(A)

이 도면상에 표시된 정보는 호성중공업(주)의 소유이며 당사의 사전 서면동의 없이 무단사용을 금합니다.