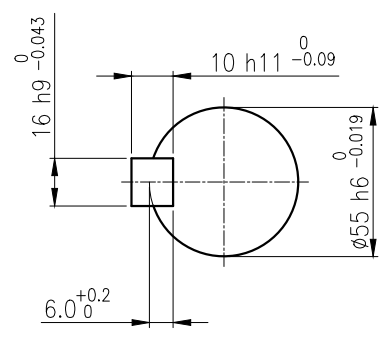
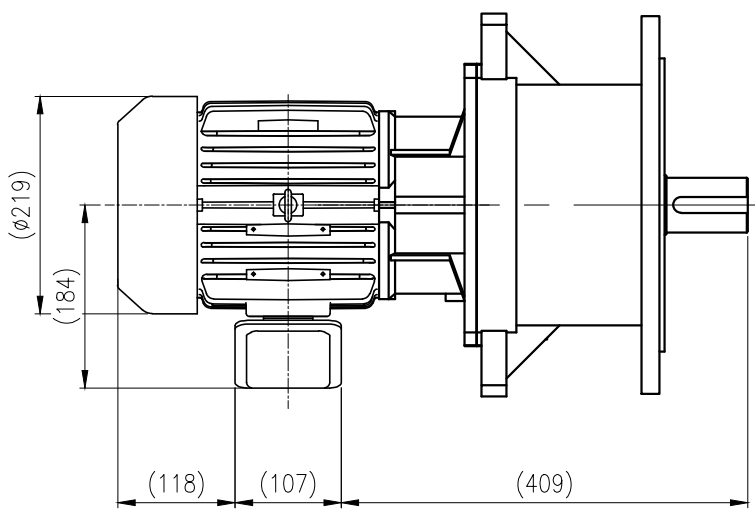


1	2	3	4	5				
No.	NAME	MATERIAL	DWG/MATL No.	CODE	Q'TY	SIZE	WEIGHT	REMARK
					0			

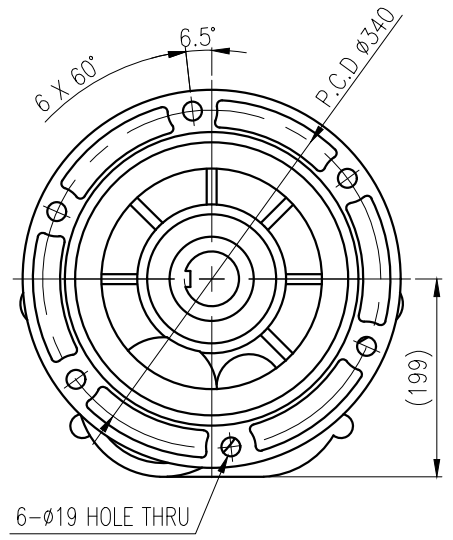
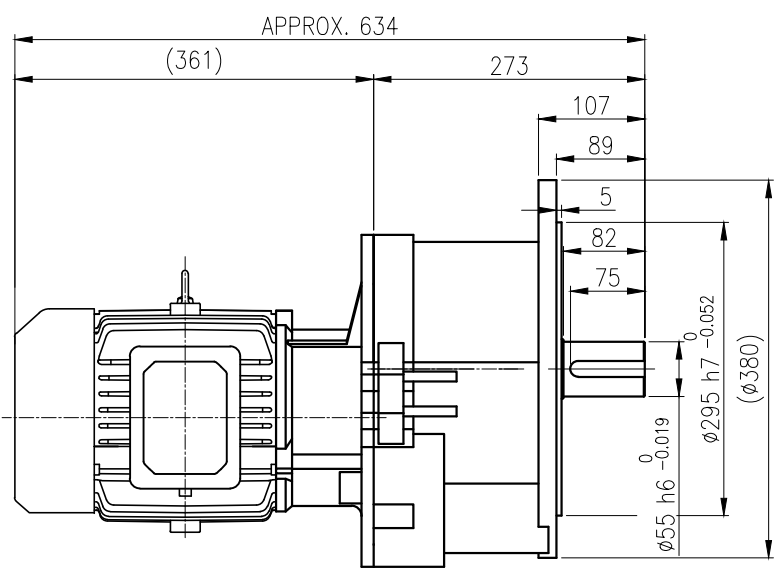
A



OUTPUT SHAFT
KEY 16 x 10 x 67

B

C



D

E

			BEARING		
			INPUT SHAFT	6205ZZ 6207ZZ	
	OIL SEAL		2ND PINION	6205ZZ 6204ZZ	GREASE : NLGI(EP)00
MOTOR SHAFT	D(M) 35 x 47 x 7		3RD PINION	6208ZZ 6308ZZ	ABOUT 4.1 kg
OUTPUT SHAFT	D(M) 60 x 85 x 12	OUTPUT SHAFT	PM4530 22212		WEIGHT 112 kg

F

		DWG NAME		외형도 OUTLINE DIMENSION			
		DWG No.		EK2DO07780H0001		UNIT	mm
						SCALE	1:1
No.	DATE	DESCRIPTION of REVISION		DESIGNED	CHECKED	REVIEWED	APPROVED
A4(210X297mm)	FORM CE-14-0100-444 2013.11.20	HYOSUNG HEAVY INDUSTRIES		2019.05.30 김민정	2019.05.30 문병선	2019.05.30 박희성	2019.05.30 홍원철
TYPE		F1VM_20_2.2kW_60~120:1_프리미엄		DATE	2019-05-30		
		REF. No.					REVISION No. 01
							THIRD ANGLE PROJECTION
							(A)

이 도면상에 표시된 정보는 호성중공업(주)의 소유이며 당사의 사전 서면동의 없이 무단사용을 금합니다.