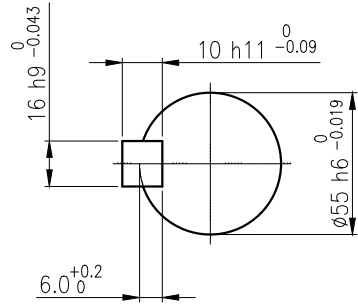
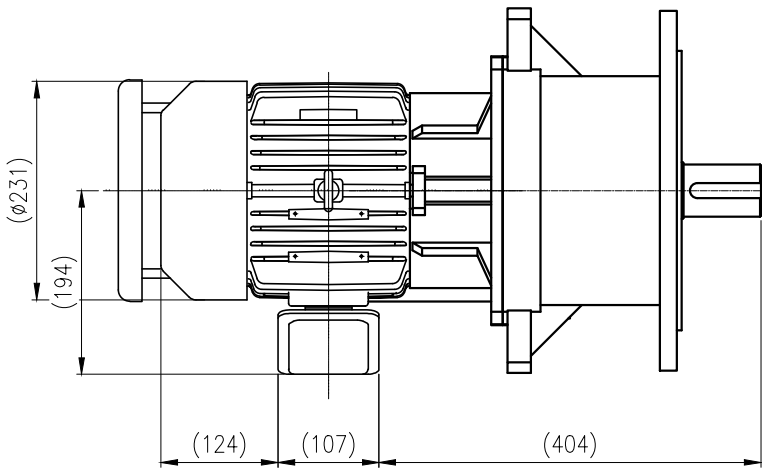
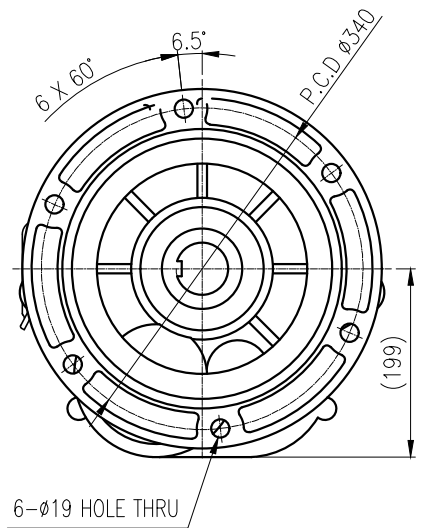
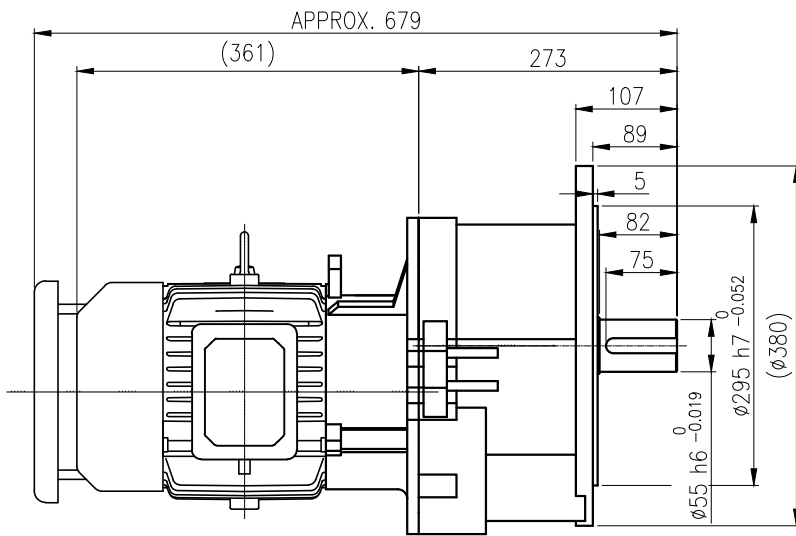


1	2	3	4	5				
No.	NAME	MATERIAL	DWG/MATL No.	CODE	Q'TY	SIZE	WEIGHT	REMARK
					0			



OUTPUT SHAFT
KEY 16 x 10 x 67



6-Ø19 HOLE THRU

			BEARING		
			INPUT SHAFT	6206ZZ 6207ZZ	
		OIL SEAL	2ND PINION	6205ZZ 6204ZZ	GREASE : NLGI(EP)00
MOTOR SHAFT	D(M) 35 x 47 x 7		3RD PINION	6208ZZ 6308ZZ	ABOUT 4.6 kg
OUTPUT SHAFT	D(M) 60 x 85 x 12		OUTPUT SHAFT	PM4530 22212	WEIGHT 117 kg

		DWG NAME		외형도 OUTLINE DIMENSION			
		DWG No.		EK2DO07779W0001		UNIT	mm
						SCALE	1:1
No.	DATE	DESCRIPTION of REVISION		DESIGNED	CHECKED	REVIEWED	APPROVED
				2019.05.30	2019.05.30	2019.05.30	2019.05.30
				김민정	문병선	박희성	홍원철
				REVISION No.		01	
				THIRD ANGLE PROJECTION			
		TYPE		REF. No.		-	
		F1VM_20_3.7kW_40~60:1_프리미엄				A	