

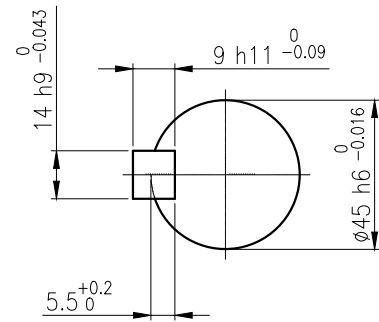
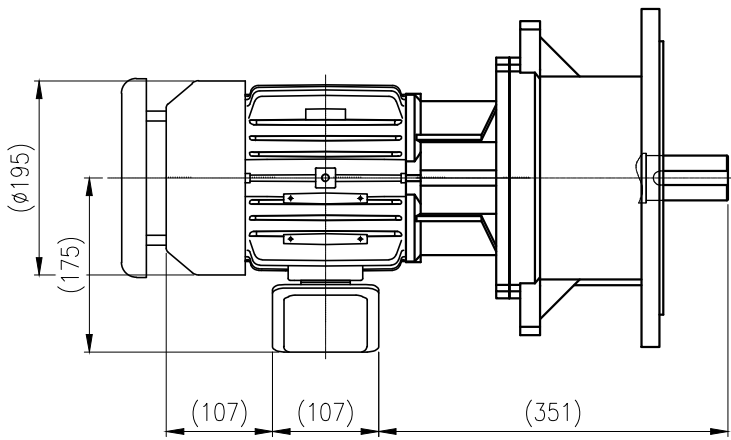
1	2	3	4	5				
No.	NAME	MATERIAL	DWG/MATL No.	CODE	Q'TY	SIZE	WEIGHT	REMARK
					0			

A

A

B

B



OUTPUT SHAFT

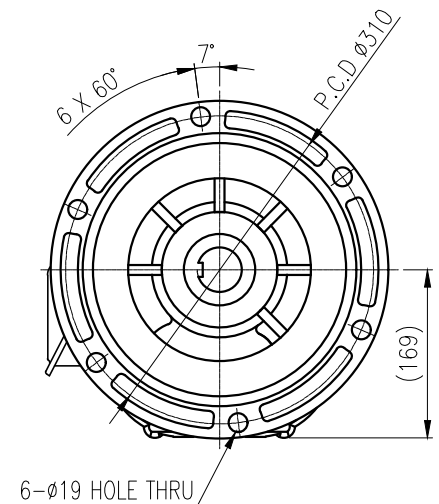
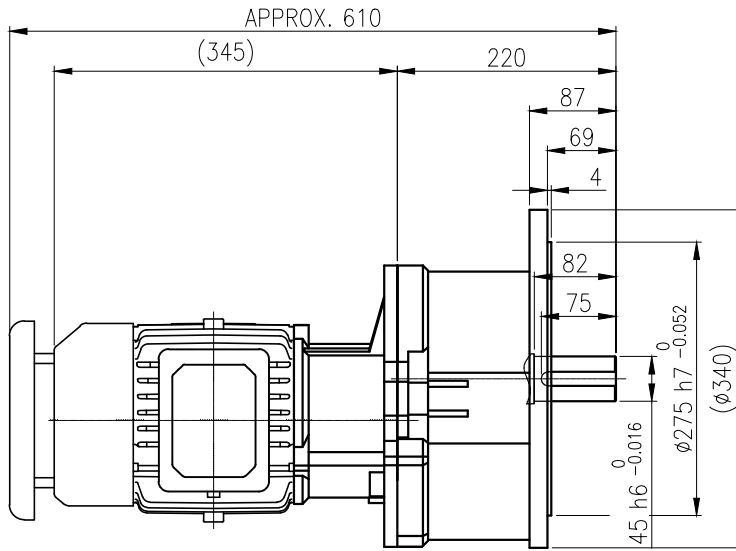
KEY 14 x 9 x 68

C

C

D

D



6-Ø19 HOLE THRU

E

E

			BEARING		
			INPUT SHAFT	6204ZZ 6205ZZ	
	OIL SEAL		2ND PINION	6204ZZ 6203ZZ	GREASE : NLGI(EP)00
MOTOR SHAFT	D(M) 25 x 38 x 8		3RD PINION	6205ZZ 6305ZZ	ABOUT 2.7 kg
OUTPUT SHAFT	D(M) 50 x 72 x 12	OUTPUT SHAFT	PM3530 6310ZZ		WEIGHT 74 kg

F

F

		DWG NAME		외형도 OUTLINE DIMENSION			
		DWG No.		EK2DO07776W0001		UNIT	mm
						SCALE	1:1
No.	DATE	DESCRIPTION of REVISION		DESIGNED	CHECKED	REVIEWED	APPROVED
A4(210X297mm)	FORM CE-14-0100-444 2013.11.20			2019.05.30	2019.05.30	2019.05.30	2019.05.30
				김민정	문병선	박희성	홍원철
TYPE		F1VM_17_1.5kW_40~120:1_프리미엄		REF. No.		-	
						THIRD ANGLE PROJECTION	
						A	

이 도면상에 표시된 정보는 호성중공업(주)의 소유이며 당사의 사전 서면동의 없이 무단사용을 금합니다.