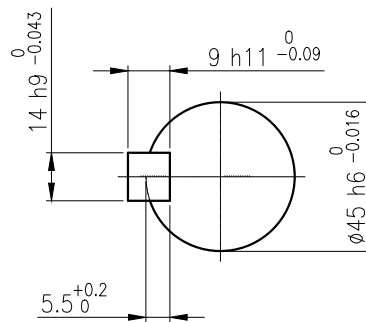
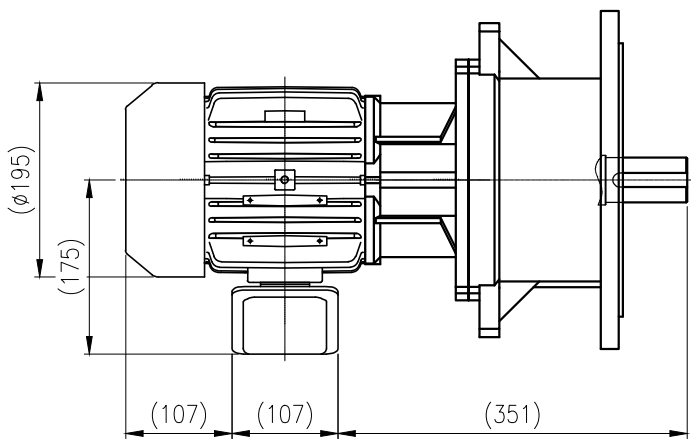
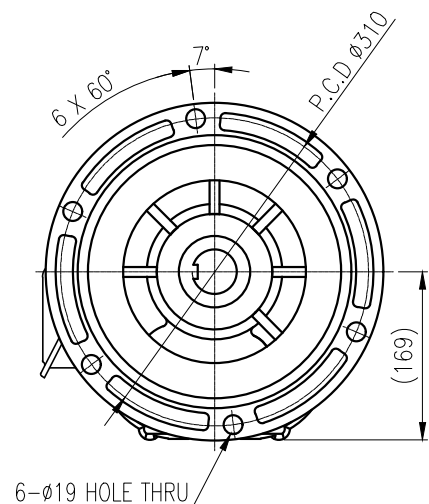
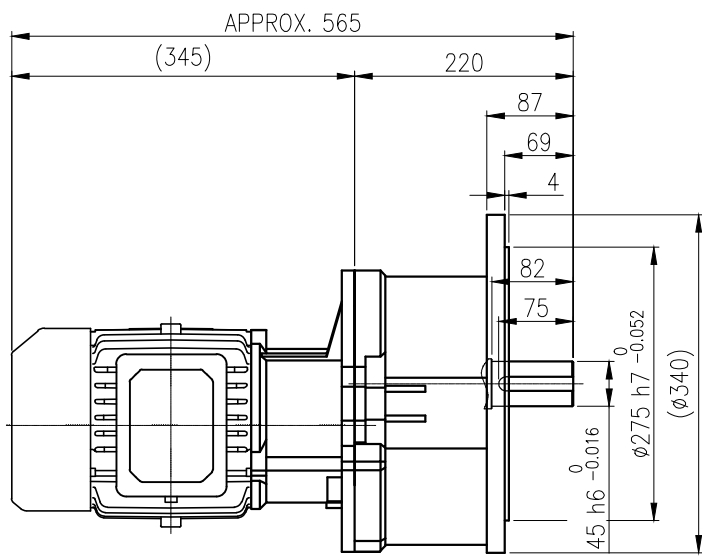


1	2	3	4	5
No.	NAME	MATERIAL	DWG/MATL No.	CODE Q'TY
				0
				SIZE
				WEIGHT
				REMARK



OUTPUT SHAFT
KEY 14 x 9 x 68



6-Ø19 HOLE THRU

			BEARING		
			INPUT SHAFT	6204ZZ 6205ZZ	
	OIL SEAL		2ND PINION	6204ZZ 6203ZZ	GREASE : NLGI(EP)00
MOTOR SHAFT	D(M) 25 x 38 x 8		3RD PINION	6205ZZ 6305ZZ	ABOUT 2.7 kg
OUTPUT SHAFT	D(M) 50 x 72 x 12	OUTPUT SHAFT	PM3530 6310ZZ		WEIGHT 74 kg

DWG NAME		외형도 OUTLINE DIMENSION			
DWG No.		EK2DO07776H0001		UNIT	mm
				SCALE	1:1

No.	DATE	DESCRIPTION of REVISION		DESIGNED	CHECKED	REVIEWED	APPROVED	DATE	2019-05-30
				2019.05.30	2019.05.30	2019.05.30	2019.05.30	REVISION No.	01
				김민정	문병선	박희성	홍원철	THIRD ANGLE PROJECTION	
				REF. No.		-		A	

HYOSUNG HEAVY INDUSTRIES
 TYPE F1VM_17_1.5kW_40~120:1_프리미엄
 A4(210X297mm) FORM CE-14-0100-444 2013.11.20

이 도면상에 표시된 정보는 호성중공업(주)의 소유이며 당사의 사전 서면동의 없이 무단사용을 금합니다.