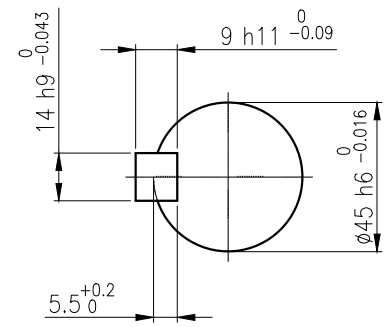
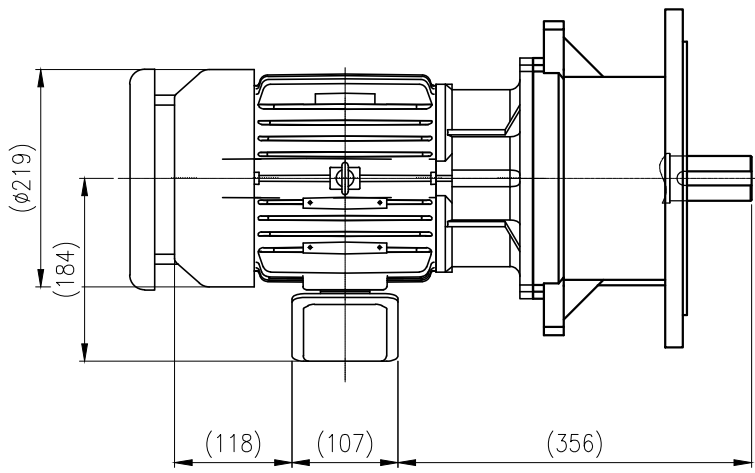


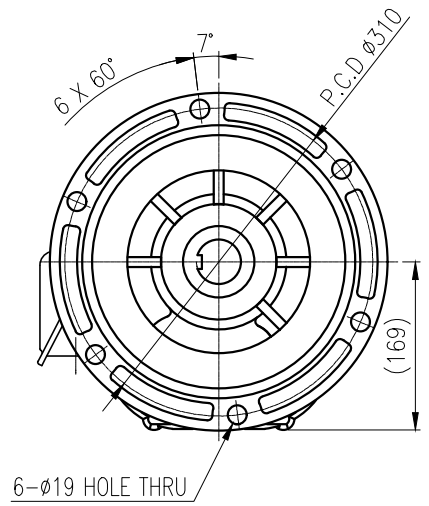
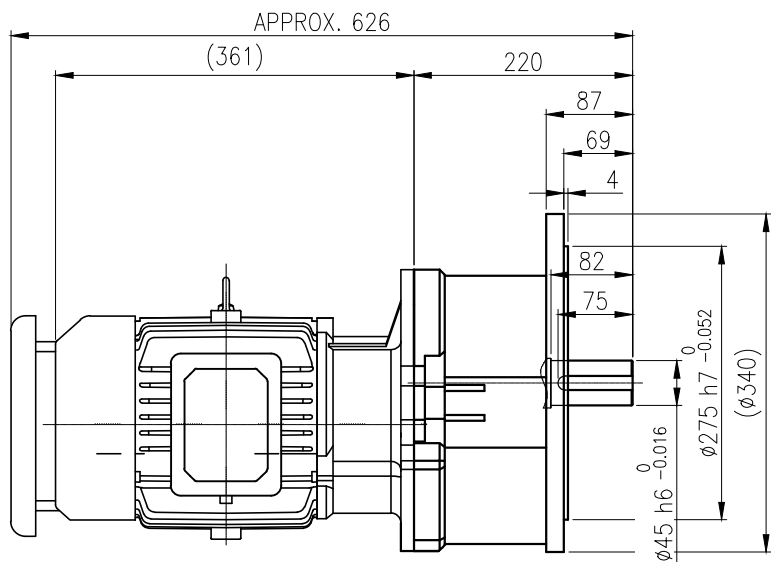
|     |      |          |              |      |        |
|-----|------|----------|--------------|------|--------|
|     | 1    | 2        | 3            | 4    | 5      |
| No. | NAME | MATERIAL | DWG/MATL No. | CODE | Q'TY   |
|     |      |          |              |      | 0      |
|     |      |          |              | SIZE | WEIGHT |
|     |      |          |              |      | REMARK |

A  
B  
C  
D  
E  
F

A  
B  
C  
D  
E  
F



**OUTPUT SHAFT**  
KEY 14 x 9 x 68



6-φ19 HOLE THRU

|              |                   |              |               |                     |
|--------------|-------------------|--------------|---------------|---------------------|
|              |                   | BEARING      |               |                     |
|              |                   | INPUT SHAFT  | 6205ZZ 6207ZZ |                     |
| OIL SEAL     |                   | 2ND PINION   | 6205ZZ 6305ZZ | GREASE : NLGI(EP)00 |
| MOTOR SHAFT  | D(M) 35 x 47 x 7  | 3RD PINION   | -             | ABOUT 3.0 kg        |
| OUTPUT SHAFT | D(M) 50 x 72 x 12 | OUTPUT SHAFT | PM3530 6310ZZ | WEIGHT 88 kg        |

|   |      |                          |  |                                |            |
|---|------|--------------------------|--|--------------------------------|------------|
|   |      | DWG NAME                 |  | 외형도<br>OUTLINE DIMENSION       |            |
|   |      | DWG No.                  |  | EK2DO07775W0001                | UNIT mm    |
|   |      |                          |  | SCALE                          | 1:1        |
| No.   | DATE | DESCRIPTION of REVISION  |  | DESIGNED                       | CHECKED    |
|   |      |                          |  | 2019.05.30                     | 2019.05.30 |
|   |      |                          |  | 김민정                            | 문병선        |
|   |      |                          |  | 2019.05.30                     | 2019.05.30 |
|   |      |                          |  | 박희성                            | 홍원철        |
|   |      | DATE                     |  | 2019-05-30                     |            |
|   |      | REVISION No.             |  | 01                             |            |
|   |      | THIRD ANGLE PROJECTION   |  |                                |            |
| A4(210X297mm)<br>FORM<br>CE-14-0100-444<br>2013.11.20 |      | HYOSUNG HEAVY INDUSTRIES |  | TYPE F1VM_17_2.2kW_5~30:1_프리미엄 |            |
|   |      | REF. No.                 |  | -                              |            |
|   |      |                          |  | A                              |            |

이 도면상에 표시된 정보는 호성중공업(주)의 소유이며 당사의 사전 서면동의 없이 무단사용을 금합니다.