

1	2		3		4		5	
No.	NAME	MATERIAL	DWG/MATL No.	CODE	Q'TY	SIZE	WEIGHT	REMARK
					0			

A A

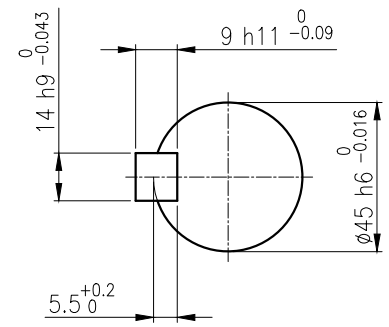
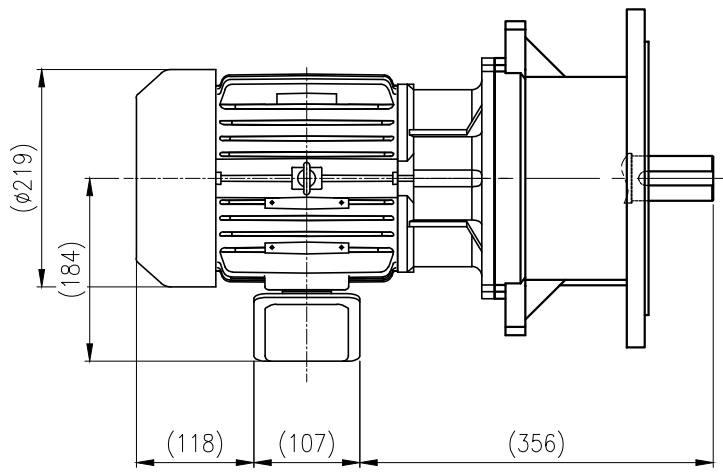
B B

C C

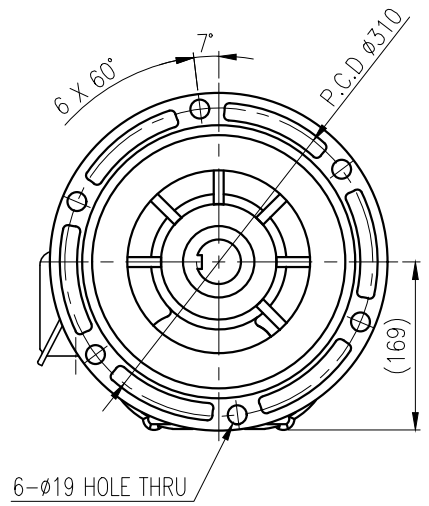
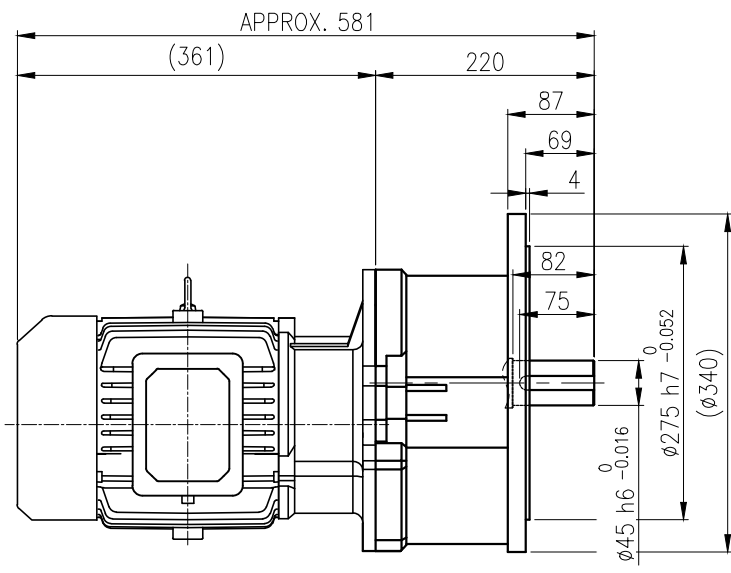
D D

E E

F F



**OUTPUT SHAFT**  
KEY 14 x 9 x 68



		BEARING			
		INPUT SHAFT	6205ZZ	6207ZZ	
OIL SEAL		2ND PINION	6205ZZ	6305ZZ	GREASE : NLGI(EP)00
MOTOR SHAFT	D(M) 35 x 47 x 7	3RD PINION	-	-	ABOUT 3.0 kg
OUTPUT SHAFT	D(M) 50 x 72 x 12	OUTPUT SHAFT	PM3530	6310ZZ	WEIGHT 88 kg

		DWG NAME 외형도 OUTLINE DIMENSION			
		DWG No. <b>EK2DO07775H0001</b>		UNIT mm	
				SCALE 1:1	
No.	DATE	DESCRIPTION of REVISION		DESIGNED	CHECKED
				2019.05.30	2019.05.30
				김민정	문병선
				2019.05.30	2019.05.30
				박희성	홍원철
A4(210X297mm)		FORM CE-14-0100-444 2013.11.20		DATE 2019-05-30	
HYOSUNG HEAVY INDUSTRIES		TYPE F1VM_17_2.2kW_5~30:1_프리미엄		REVISION No. 01	
		REF. No.		THIRD ANGLE PROJECTION	
				A	

이 도면상에 표시된 정보는 호성중공업(주)의 소유이며 당사의 사전 서면동의 없이 무단사용을 금합니다.