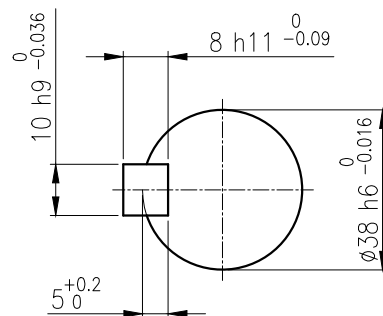
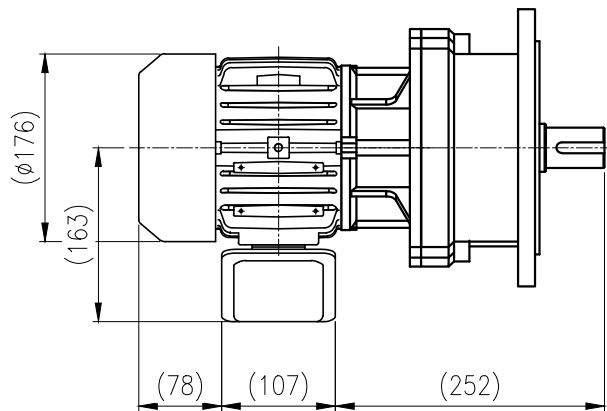
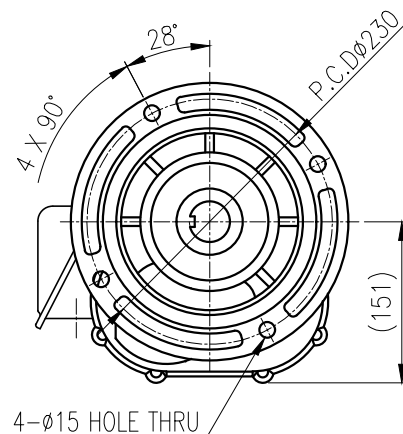
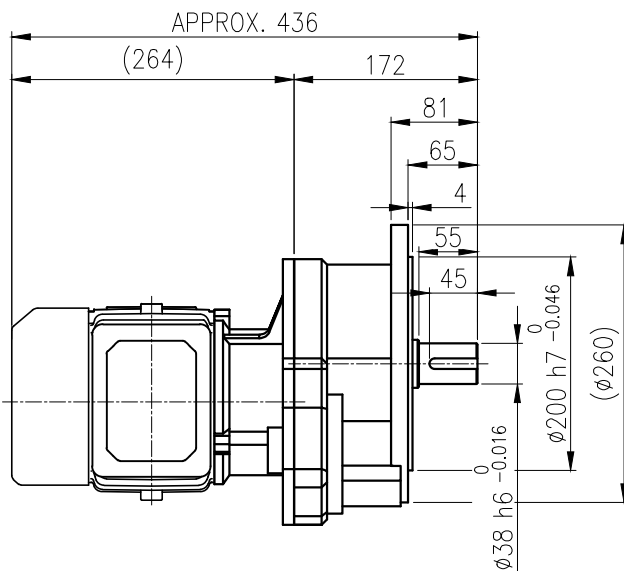


1	2	3	4	5
No.	NAME	MATERIAL	DWG/MATL No.	CODE
				Q'TY
				0
				SIZE
				WEIGHT
				REMARK



**OUTPUT SHAFT**  
KEY 10 x 8 x 40



		BEARING			
		INPUT SHAFT	6203ZZ	6204ZZ	
OIL SEAL		2ND PINION	6203ZZ	6202ZZ	GREASE : NLGI(EP)00
MOTOR SHAFT	D(M) 20 x 32 x 8	3RD PINION	6204ZZ	6304ZZ	ABOUT 1.7 kg
OUTPUT SHAFT	D(M) 45 x 62 x 12	OUTPUT SHAFT	PM3030	6309ZZ	WEIGHT 53 Kg

DWG NAME		외형도 OUTKUNE DIMENSION			
DWG No.		EK2DO07773H0001		UNIT	mm
				SCALE	1:1
No.	DATE	DESIGNED	CHECKED	REVIEWED	APPROVED
		2019.05.30	2019.05.30	2019.05.30	2019.05.30
		김민정	문병선	박희성	홍원철
DESCRIPTION of REVISION		DATE	2019-05-30		
		REVISION No.	01		
		THIRD ANGLE PROJECTION			
TYPE		F1VM_15_0.75kW_40~120:1_프리미엄		REF. No.	-

A4(210X297mm)  
FORM  
CE-14-0100-444  
2013.11.20

**HYOSUNG HEAVY INDUSTRIES**

(A)

이 도면상에 표시된 정보는 호성중공업(주)의 소유이며 당사의 사전 서면동의 없이 무단사용을 금합니다.