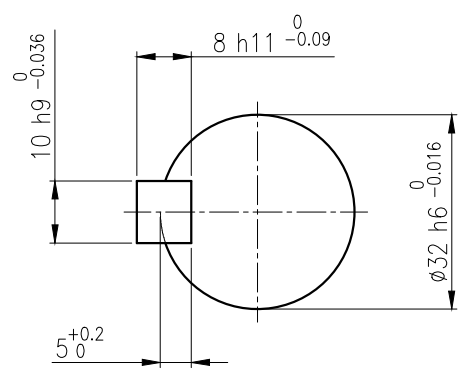
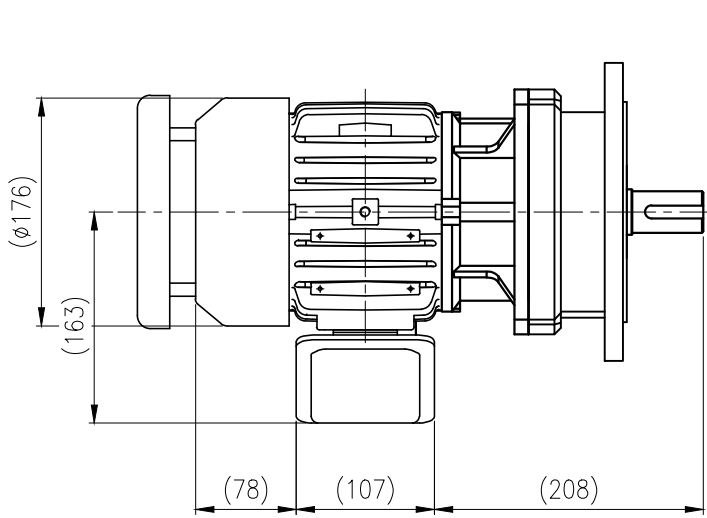


1	2	3	4	5
No.	NAME	MATERIAL	DWG/MATL No.	CODE Q'TY
				0
				SIZE
				WEIGHT
				REMARK

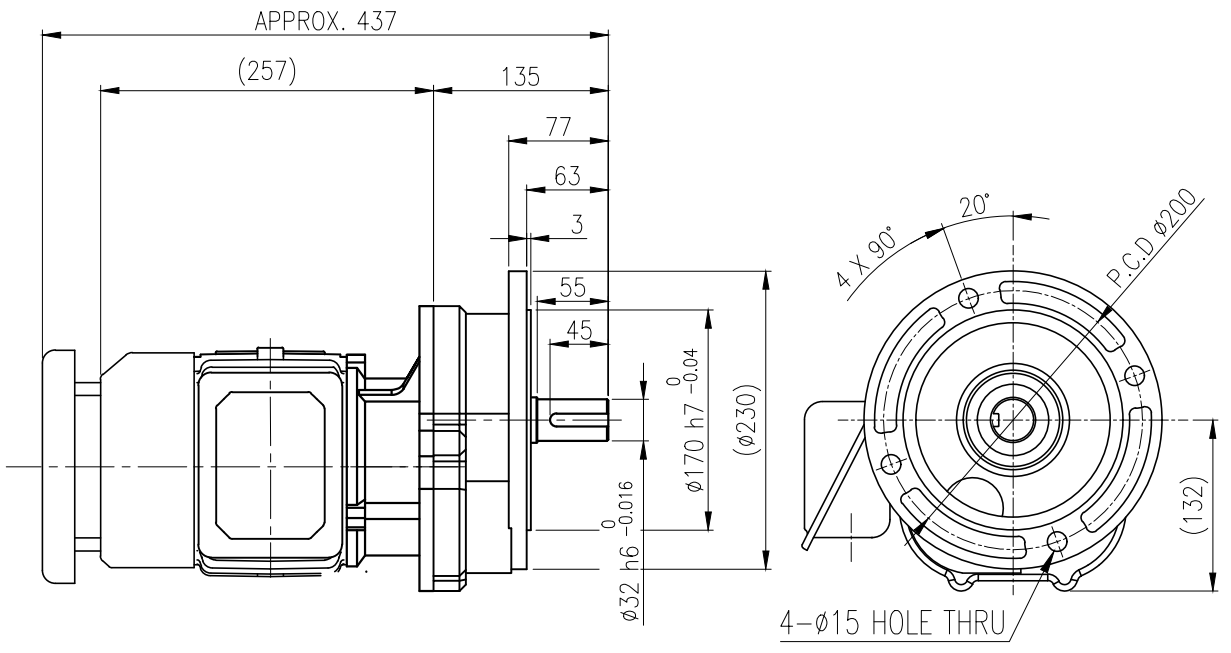
A



OUTPUT SHAFT
KEY 10 x 8 x 40

B

C



D

E

		BEARING			
		INPUT SHAFT	6203ZZ	6204ZZ	
OIL SEAL		2ND PINION	6202ZZ	6202ZZ	GREASE : NLGI(EP)00
MOTOR SHAFT	D(M) 20 x 32 x 8	3RD PINION	-	-	ABOUT 1.1 kg
OUTPUT SHAFT	D(M) 35 x 55 x 11	OUTPUT SHAFT	PM2525	6207ZZ	WEIGHT 41 kg

F

		DWG NAME		외형도 OUTLINE DIMENSION	
		DWG No.		E K 2 D O 0 7 7 7 1 W 0 0 0 1	
		UNIT		mm	
		SCALE		1:1	
No.	DATE	DESIGNED	CHECKED	REVIEWED	APPROVED
		2019.05.30	2019.05.30	2019.05.30	2019.05.30
DESCRIPTION of REVISION		김민정	문병선	박희성	홍원철
DATE		DATE		DATE	
2013.11.20		2019-05-30		2019-05-30	
REVISION No.		REVISION No.		REVISION No.	
01		01		01	
THIRD ANGLE PROJECTION		THIRD ANGLE PROJECTION		THIRD ANGLE PROJECTION	
TYPE		REF. No.		REF. No.	
F1VM_13_0.75kW_5~30:1_프리미엄		-		-	
A4(210X297mm)		FORM		FORM	
CE-14-0100-444		2013.11.20		2013.11.20	
HYOSUNG HEAVY INDUSTRIES		HYOSUNG HEAVY INDUSTRIES		HYOSUNG HEAVY INDUSTRIES	
A		A		A	

The information written in this drawing is HYOSUNG HEAVY INDUSTRIES's property, and may not be disclosed and/or reproduced without the prior official permission of HYOSUNG HEAVY INDUSTRIES Corp.

이 도면상에 표시된 정보는 호성중공업(주)의 소유이며 당사의 사전 서면동의 없이 무단사용을 금합니다.