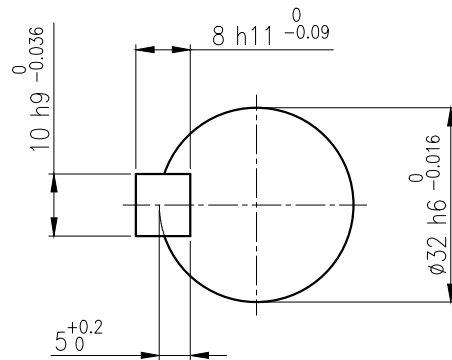
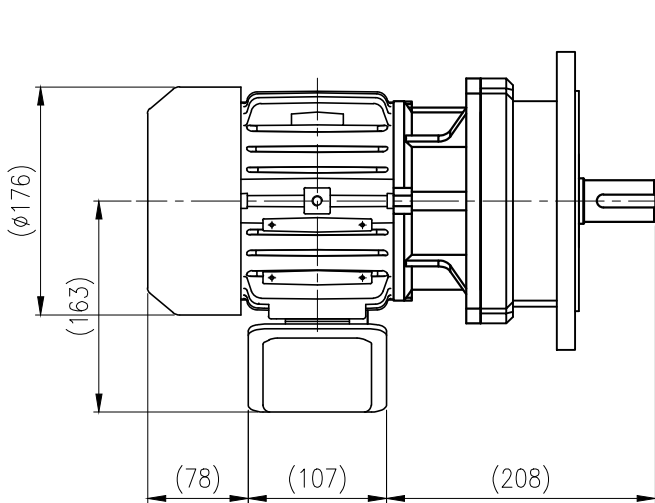
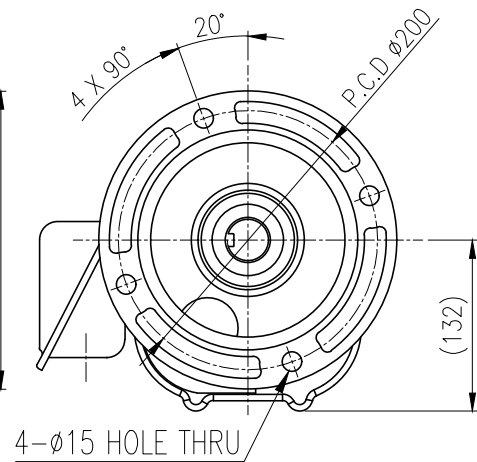
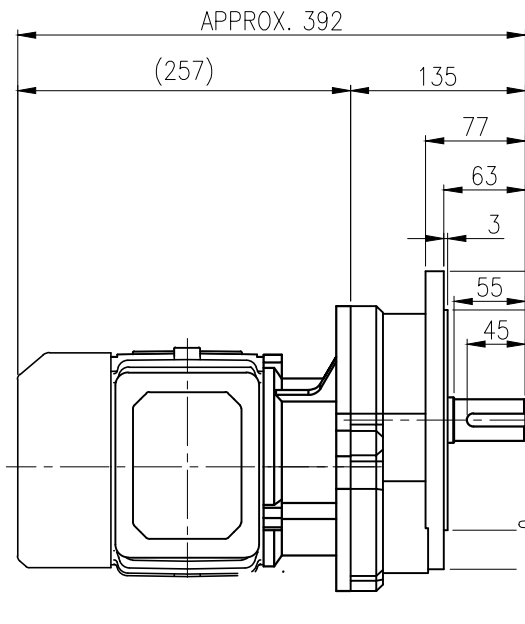


1	2	3	4	5				
No.	NAME	MATERIAL	DWG/MATL No.	CODE	Q'TY	SIZE	WEIGHT	REMARK
					0			



OUTPUT SHAFT
KEY 10 x 8 x 40



		BEARING			
		INPUT SHAFT	6203ZZ	6204ZZ	
OIL SEAL		2ND PINION	6202ZZ	6202ZZ	GREASE : NLGI(EP)00
MOTOR SHAFT	D(M) 20 x 32 x 8	3RD PINION	-	-	ABOUT 1.1 kg
OUTPUT SHAFT	D(M) 35 x 55 x 11	OUTPUT SHAFT	PM2525	6207ZZ	WEIGHT 41 kg

		DWG NAME 외형도 OUTLINE DIMENSION							
		DWG No. EK2DO07771H0001		UNIT mm					
				SCALE 1:1					
No.	DATE	DESCRIPTION of REVISION		DESIGNED	CHECKED	REVIEWED	APPROVED	DATE	2019-05-30
A4(210X297mm)	FORM CE-14-0100-444 2013.11.20	HYOSUNG HEAVY INDUSTRIES		2019.05.30	2019.05.30	2019.05.30	2019.05.30	REVISION No.	01
TYPE F1VM_13_0.75kW_5~30:1_프리미엄				김민정	문병선	박희성	홍원철	THIRD ANGLE PROJECTION	
		REF. No.	-					A	

이 도면상에 표시된 정보는 호성중공업(주)의 소유이며 당사의 사전 서면동의 없이 무단사용을 금합니다.